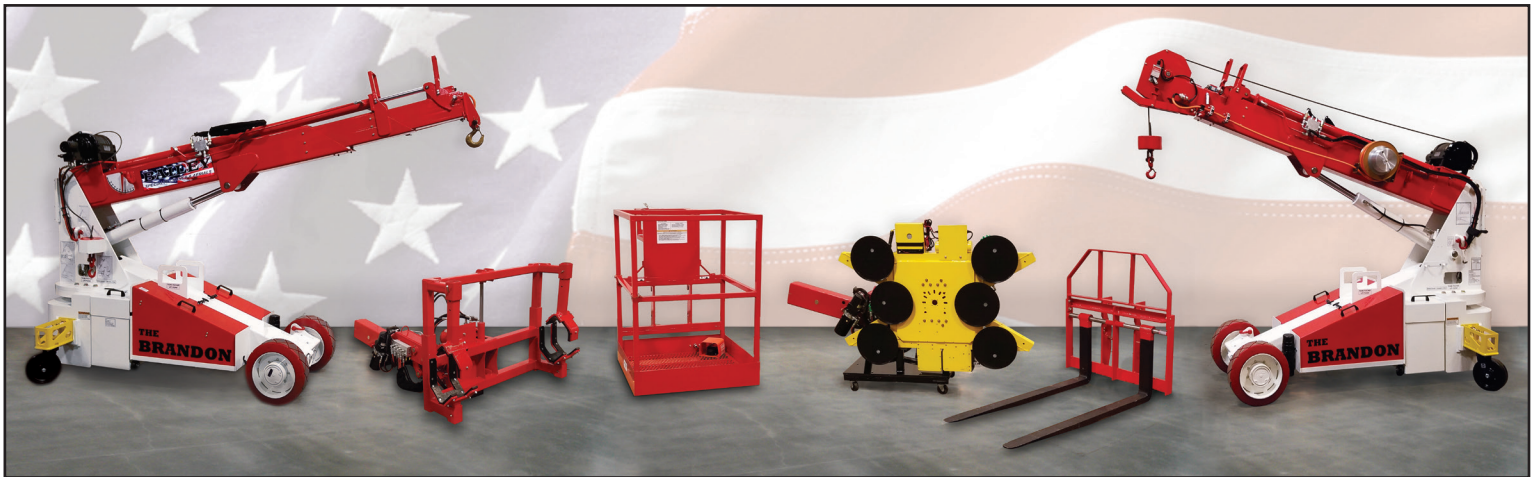


THE BRANDON™ 6

The World's Most Versatile Lifting Machine



Model: Brandon 6

Hook Capacity: 6,000 lbs

Fork Capacity: 2,500 lbs

Glazier Capacity: 1,100 lbs

Robot or Jib Capacity: 1,000 lbs

Winch Capacity: 3,000 lbs

Reach: Industry leading reach with below grade capability.

Battery Power: 24V 435Amp-Hour

Electric Motor: 6HP Fan Cooled DC

Weight: 5,500 Lbs + Attachment

Steering: Rear Wheel

Charger: On-board 110 Volts AC

Proportional Controls: Electric Joystick for Proportional Lift and Extend. Includes 2-Speed HI/LOW switch for precise slow speed control.

Boom: Base unit, 2 telescoping booms and one manual pull-out boom. Attachments replace pull-out boom.

Hydraulics: Gear Pump with Load Sense Dump.

Drive: 2 Wheel Drive and Braking with Joystick and Speed Dial to best provide inching control.

Rated Load Limiter: Displays rated load and actual load. Stops when rated load is reached. Detects which attachment is installed and automatically adjusts load parameters.

Progressive Function Control: Adjusts the maxim drive and lift speeds to limit unsafe operation based on the following:

- Steering Angle (Drive Slow with tight radius)
- Boom Height and Reach
- Lifted Load (Slow when closer to limit)

Optional: "EE" Class I, Division 2 Certification



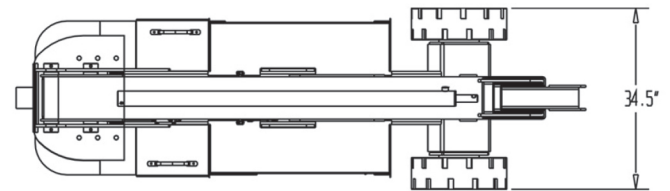
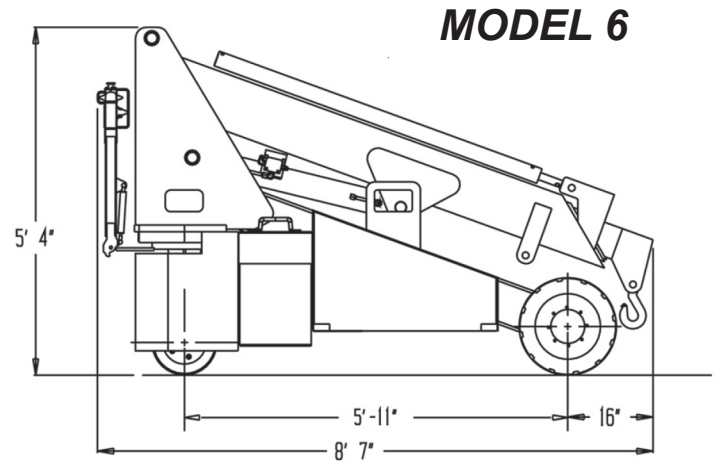
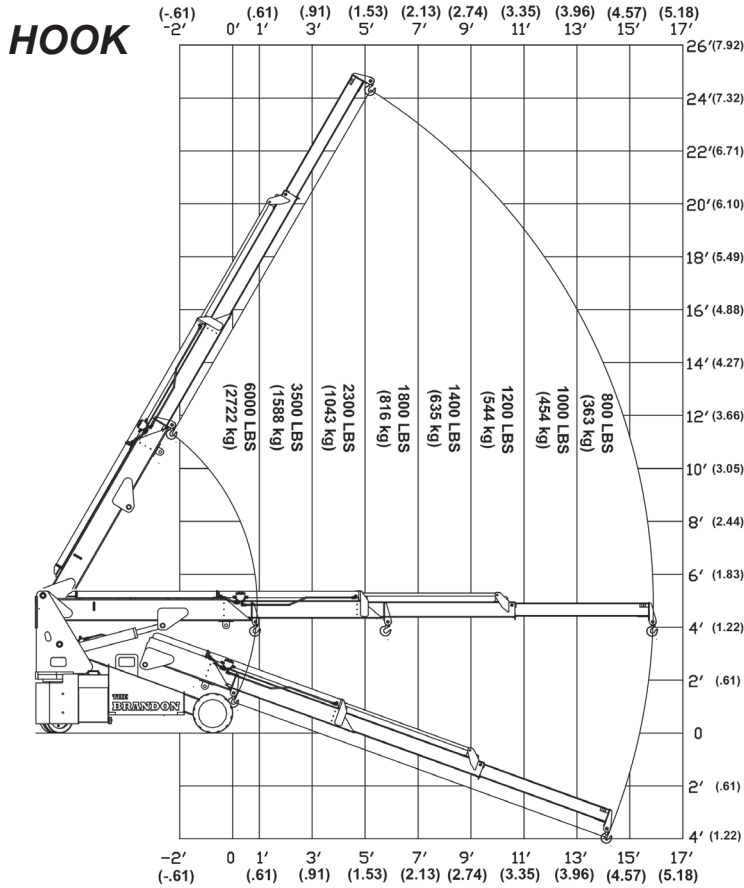
Radio Remote Controls



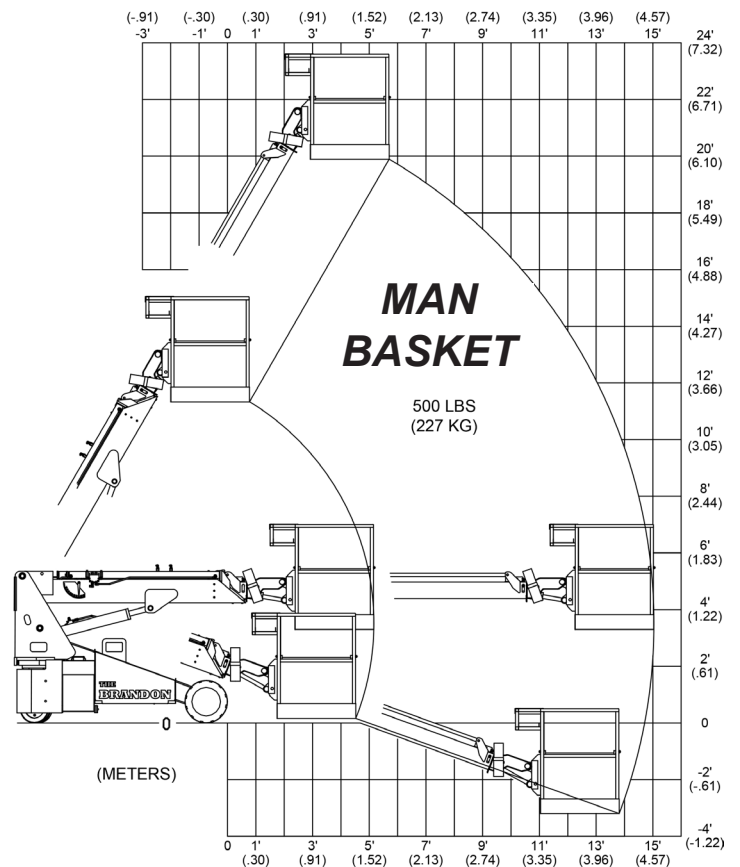
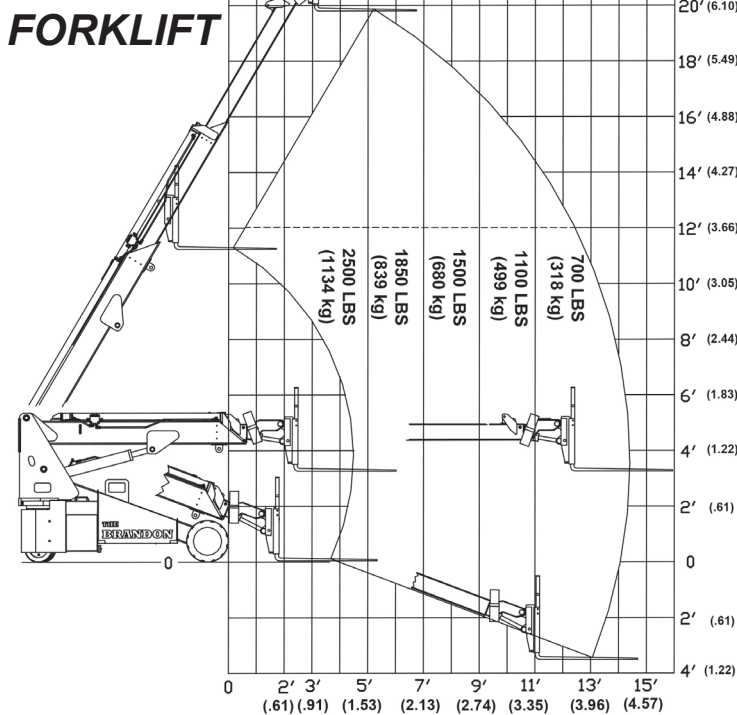
Walkie Handle

LOAD CAPACITY CHARTS

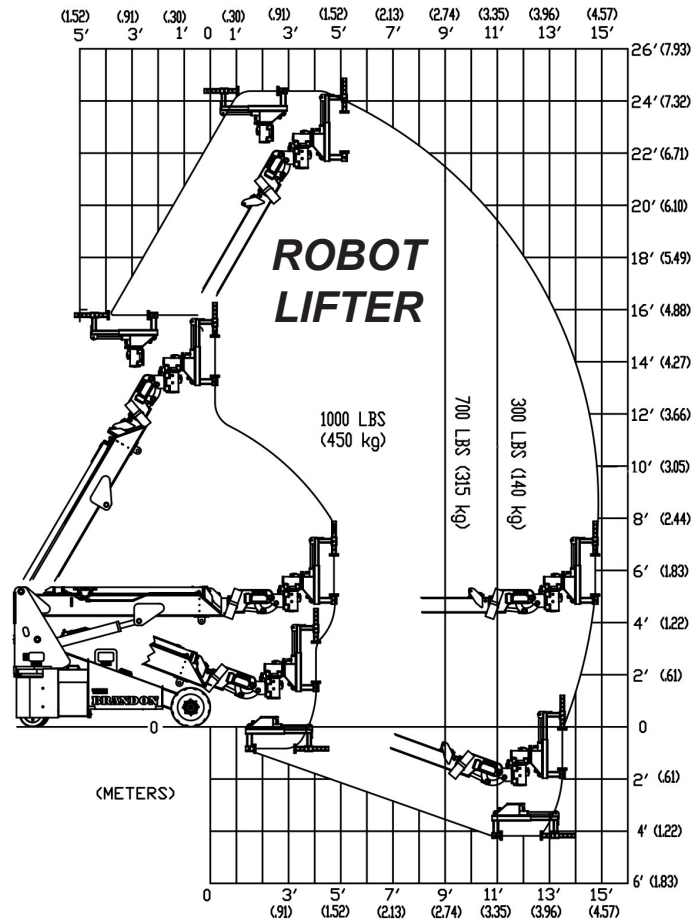
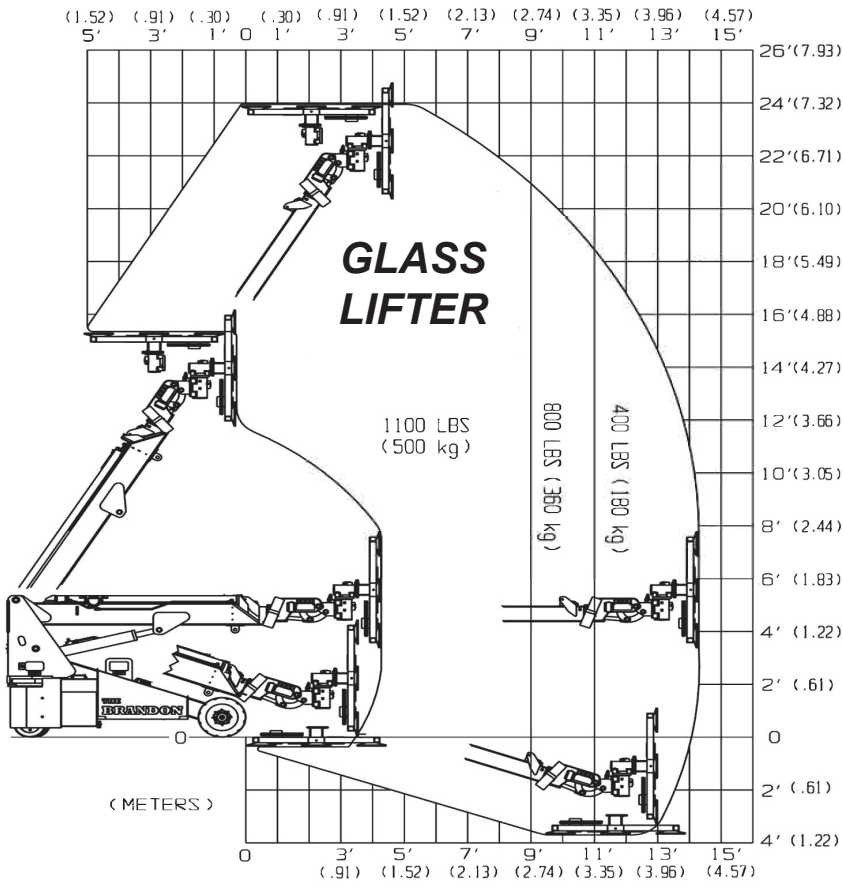
** MULTIPLE PATENTS PENDING **



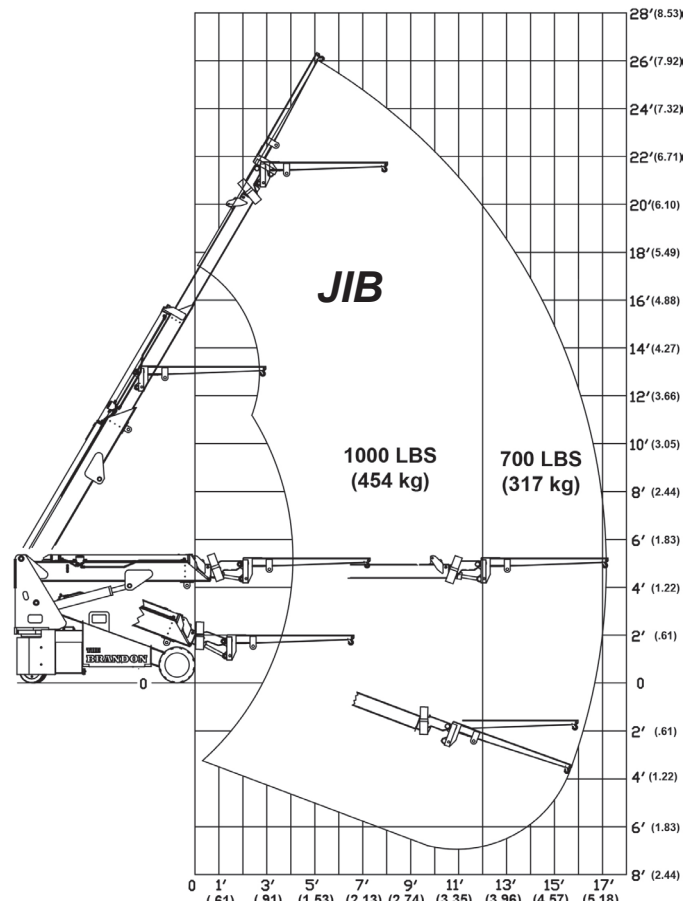
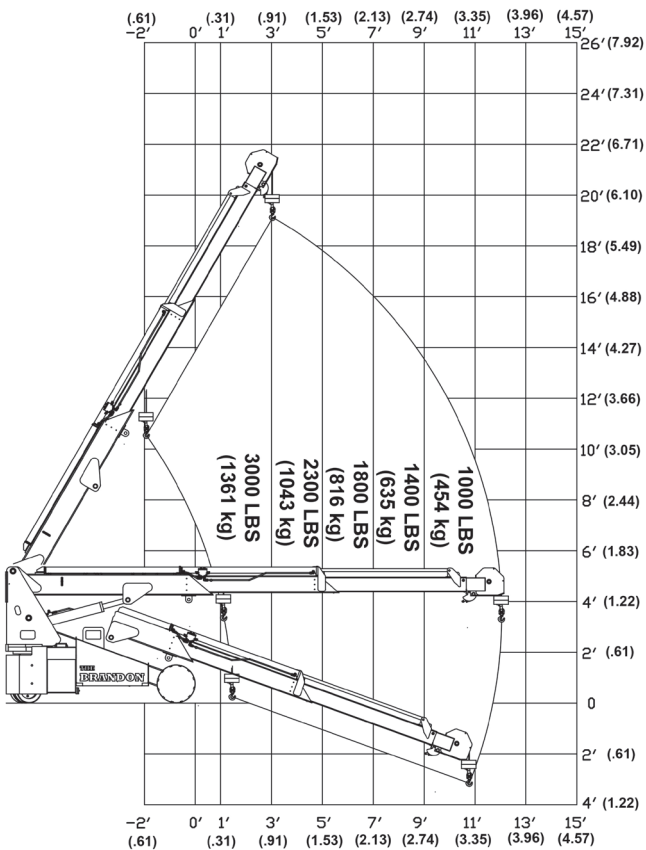
34.5" WIDE SINGLE DOOR ACCESS



ENGINEERING THE FUTURE OF LIFT EQUIPMENT



3,000 lbs HOIST WINCH



Features



Rated Load Limiter

Automatically detects attachment and adjusts loading parameters



Hydraulic Hoist Winch

- 3,000 lb Capacity
- 90' or 230' Cable
- Simple Installation



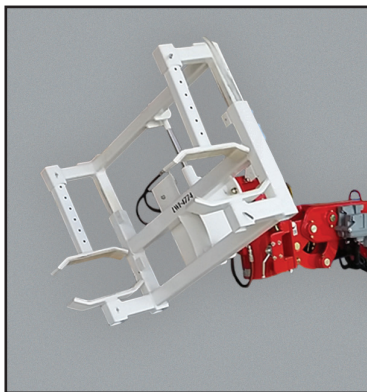
Optional Stabilizers



Removable Battery Box

For multi-shift operation.
Patented design loads without external sources.

Multiple Attachments



Robot



Man Basket



Hoist Winch



Forks



Glass



Hanging Glass



S81W18561 Gemini Drive, Muskego, WI 53150
262-710-4028 | www.BaileyCranes.com