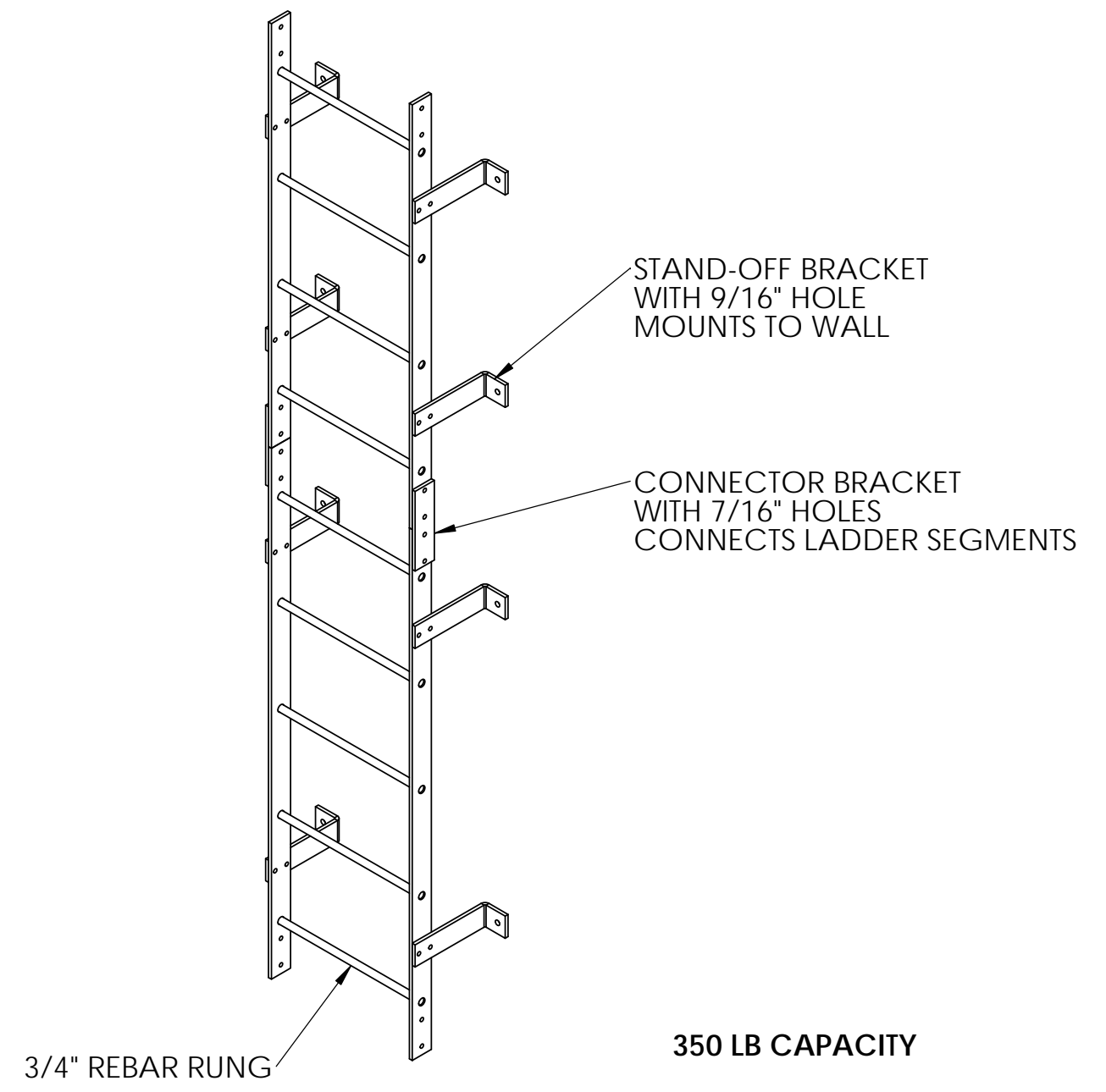
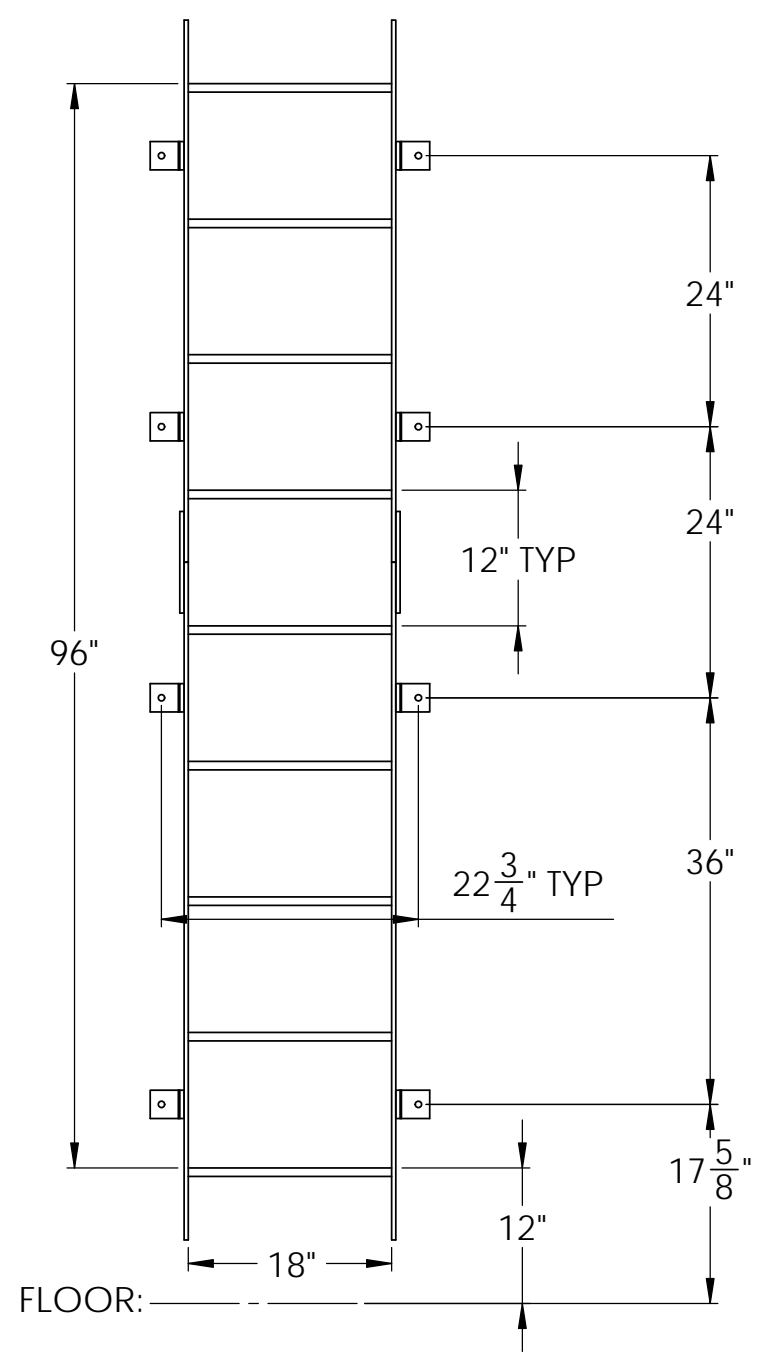
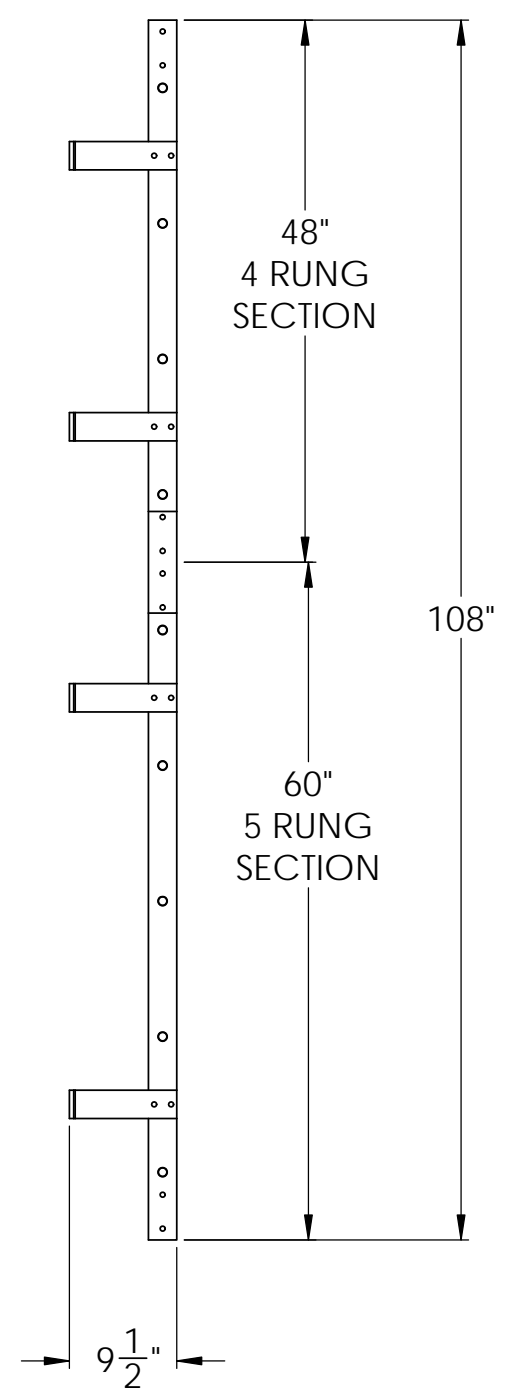


8 7 6 5 4 3 2 1

WLFS0109-Y:

- 1 4-RUNG LADDER SECTION
- 1 5-RUNG LADDER SECTION

D
C
B
A



APPROVAL SIGNATURE:				TITLE: WLFS0109-Y			
DATE:				REV			
PROPRIETARY AND CONFIDENTIAL THE INFORMATION CONTAINED IN THIS DRAWING IS THE SOLE PROPERTY OF TRI-ARC MANUFACTURING. ANY REPRODUCTION IN PART OR AS A WHOLE WITHOUT THE WRITTEN PERMISSION OF TRI-ARC MANUFACTURING IS PROHIBITED.		LEAD TIME MATERIAL FINISH		SIZE B	DWG. NO. WLFS0109-Y	REV	
DO NOT SCALE DRAWING		DRAWN KSR	DATE 5/24/22	SCALE: 1:15	WEIGHT:	SHEET 1 OF 1	

8 7 6 5 4 3 2 1