
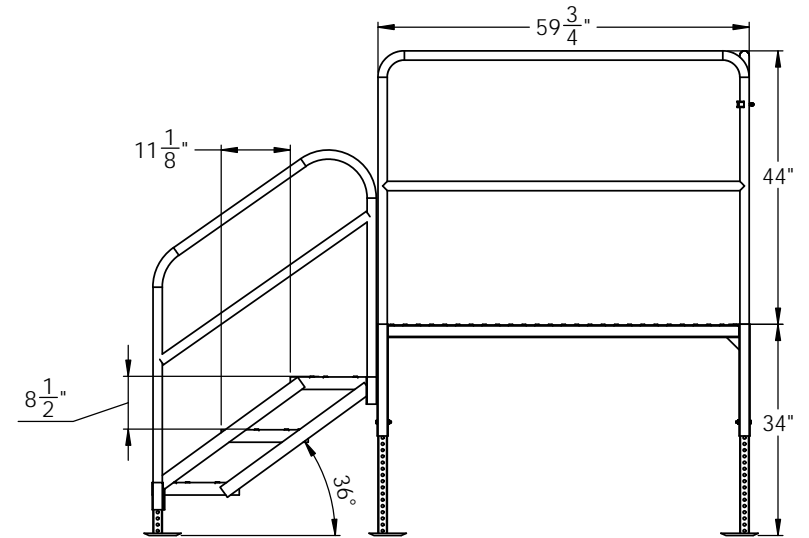
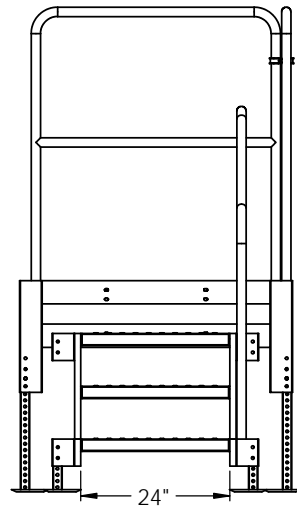
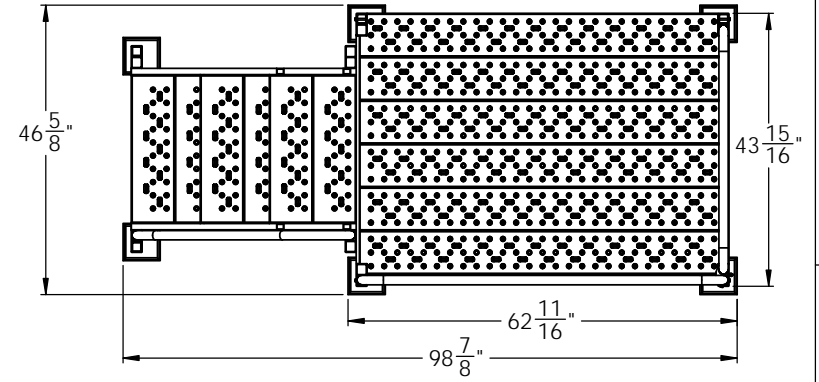
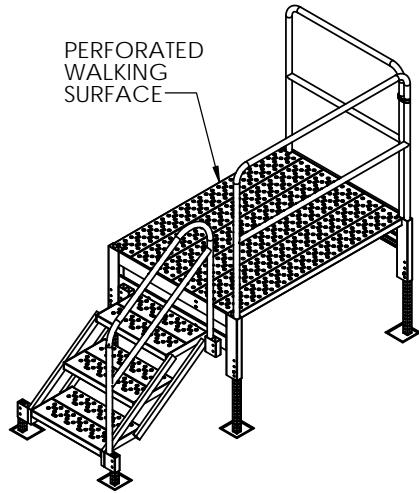




APPROVAL SIGNATURE:			TITLE:		
DATE:			2 - 3 STEP VERSA STEP TRAILER ACCESS STEP & PLATFORM		
PROPRIETARY AND CONFIDENTIAL THE INFORMATION CONTAINED IN THIS DRAWING IS THE SOLE PROPERTY OF TRI-ARC MANUFACTURING. ANY REPRODUCTION IN PART OR AS A WHOLE WITHOUT THE WRITTEN PERMISSION OF TRI-ARC MANUFACTURING IS PROHIBITED.	LEAD TIME	WEEKS	SIZE B	DWG. NO. TAVSO23-AS	REV 01
	MATERIAL	Steel & Alum			
	FINISH	Unpainted		SCALE: 1:50	WEIGHT: 94.44
DO NOT SCALE DRAWING		DRAWN	S.T.	TBD	



APPROVAL SIGNATURE:			TITLE:		
DATE:			2 - 3 STEP VERSA STEP TRAILER ACCESS STEP & PLATFORM		
PROPRIETARY AND CONFIDENTIAL THE INFORMATION CONTAINED IN THIS DRAWING IS THE SOLE PROPERTY OF TRI-ARC MANUFACTURING. ANY REPRODUCTION IN PART OR AS A WHOLE WITHOUT THE WRITTEN PERMISSION OF TRI-ARC MANUFACTURING IS PROHIBITED.	LEAD TIME: WEEKS MATERIAL: Steel & Alum FINISH: Unpainted		SIZE: B	DWG. NO.: TAVSO23-AS	REV: 01
DO NOT SCALE DRAWING			DRAWN: S.T. TBD	SCALE: 1:50	WEIGHT: 94.44