

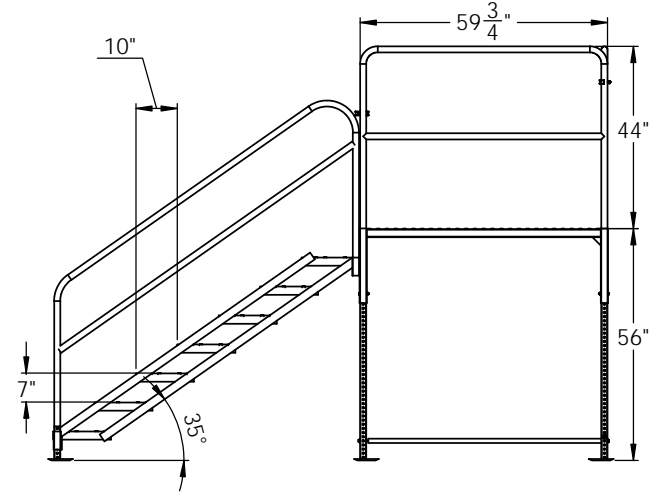
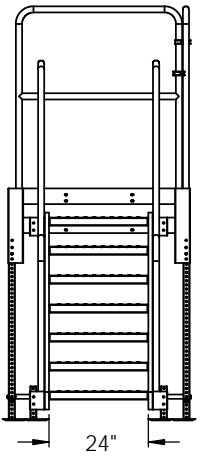
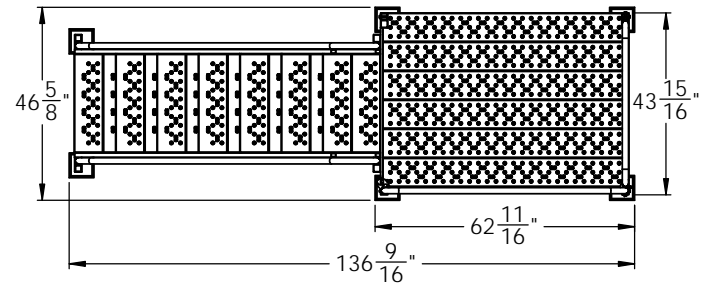
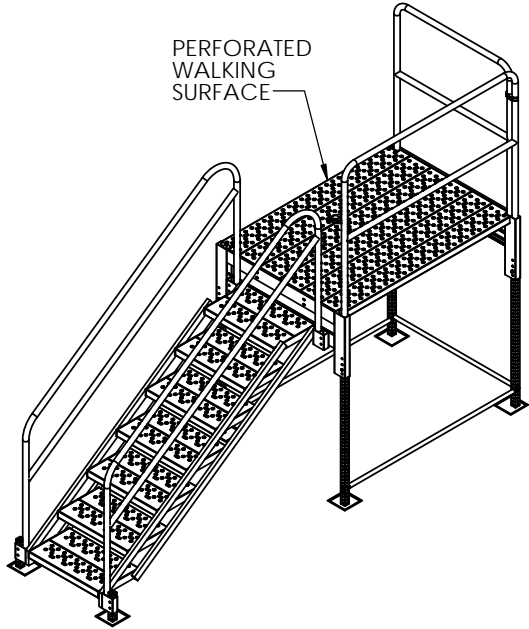


APPROVAL SIGNATURE:			TITLE:		
DATE:	LEAD TIME: WEEKS		6 - 7 STEP VERSA STEP TRAILER ACCESS STEP & PLATFORM		
PROPRIETARY AND CONFIDENTIAL THE INFORMATION CONTAINED IN THIS DRAWING IS THE SOLE PROPERTY OF TRI-ARC MANUFACTURING. ANY REPRODUCTION IN PART OR AS A WHOLE WITHOUT THE WRITTEN PERMISSION OF TRI-ARC MANUFACTURING IS PROHIBITED.	MATERIAL: Steel & Alum		SIZE: B	DWG. NO.: TAVSC67-AS	REV: 01
	FINISH: Unpainted		SCALE: 1:50	WEIGHT: 94.44	SHEET 5 OF 8
	DO NOT SCALE DRAWING	DRAWN: S.T. TBD			

8 7 6 5 4 3 2 1

D
C
B
A

D
C
B
A



A

A

8 7 6 5 4 3 2 1

APPROVAL SIGNATURE:			TITLE: 6 - 7 STEP VERSA STEP TRAILER ACCESS STEP & PLATFORM	
DATE:	LEAD TIME: WEEKS		SIZE: B	DWG. NO.: TAVSC67-AS
PROPRIETARY AND CONFIDENTIAL THE INFORMATION CONTAINED IN THIS DRAWING IS THE SOLE PROPERTY OF TRI-ARC MANUFACTURING. ANY REPRODUCTION IN PART OR AS A WHOLE WITHOUT THE WRITTEN PERMISSION OF TRI-ARC MANUFACTURING IS PROHIBITED.		MATERIAL: Steel & Alum	SCALE: 1:50	
FINISH: Unpainted		DO NOT SCALE DRAWING	WEIGHT: 94.44	SHEET 6 OF 8
		DRAWN: S.T.	TBD	