


APPROVAL SIGNATURE:			TITLE:		
DATE:			5 - 6 STEP VERSA STEP TRAILER ACCESS STEP & PLATFORM		
PROPRIETARY AND CONFIDENTIAL THE INFORMATION CONTAINED IN THIS DRAWING IS THE SOLE PROPERTY OF TRI-ARC MANUFACTURING. ANY REPRODUCTION IN PART OR AS A WHOLE WITHOUT THE WRITTEN PERMISSION OF TRI-ARC MANUFACTURING IS PROHIBITED.	LEAD TIME	WEEKS	SIZE B	DWG. NO. TAVSC56-AS	REV 01
	MATERIAL	Steel & Alum			
	FINISH	Unpainted		SCALE: 1:30	
DO NOT SCALE DRAWING		DRAWN	S.T.	TBD	SHEET 5 OF 8

8 7 6 5 4 3 2 1

D

C

B

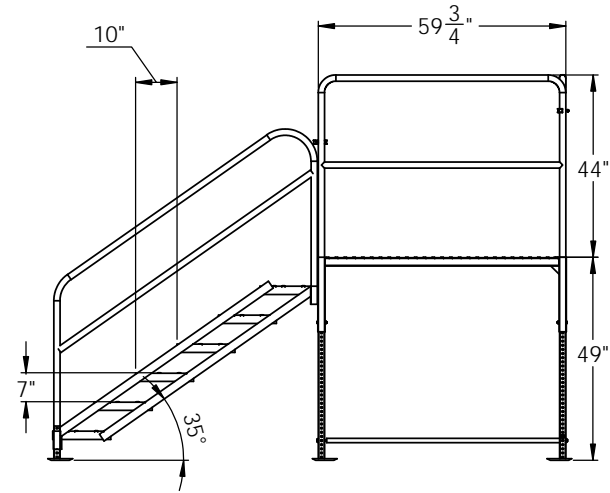
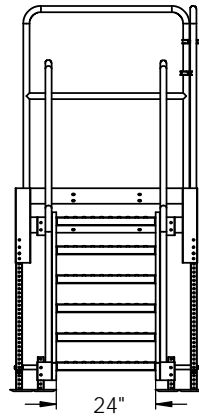
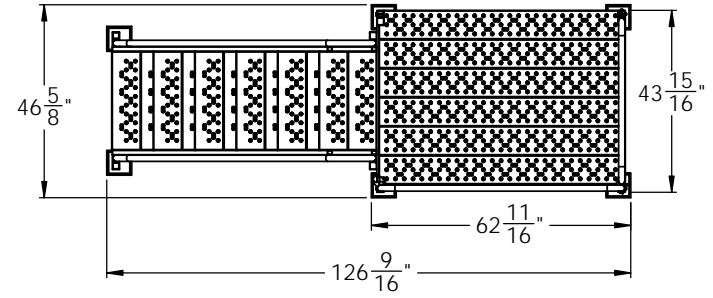
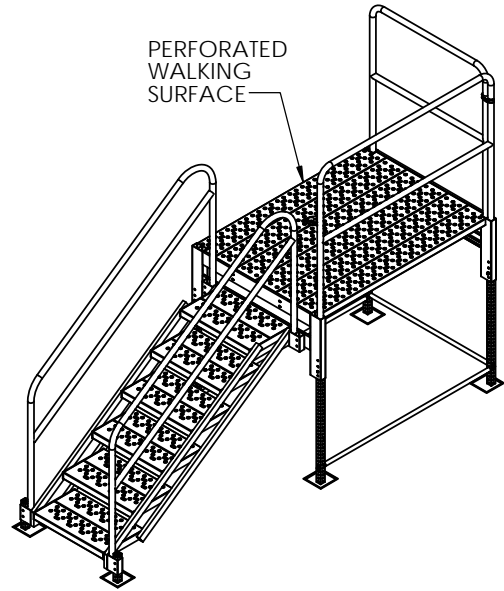
A


D

C

B

A



APPROVAL SIGNATURE:			TITLE:		
DATE:			5 - 6 STEP VERSA STEP TRAILER ACCESS STEP & PLATFORM		
PROPRIETARY AND CONFIDENTIAL THE INFORMATION CONTAINED IN THIS DRAWING IS THE SOLE PROPERTY OF TRI-ARC MANUFACTURING. ANY REPRODUCTION IN PART OR AS A WHOLE WITHOUT THE WRITTEN PERMISSION OF TRI-ARC MANUFACTURING IS PROHIBITED.	LEAD TIME	WEEKS	SIZE	DWG. NO.	REV
	MATERIAL	Steel & Alum	B	TAVSC56-AS	01
	FINISH	Unpainted	SCALE: 1:30		WEIGHT: 83.57
DO NOT SCALE DRAWING		DRAWN	S.T.	TBD	

8 7 6 5 4 3 2 1