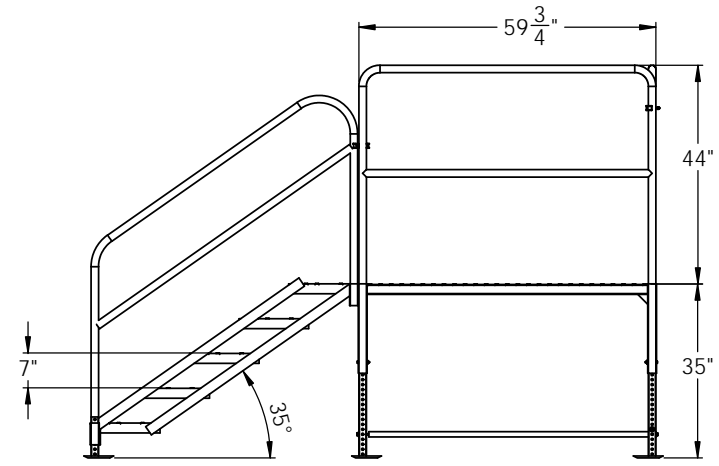
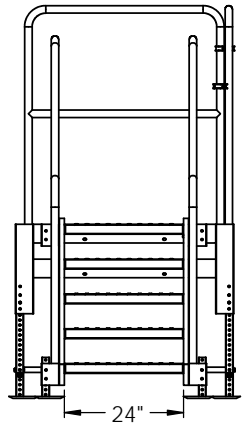
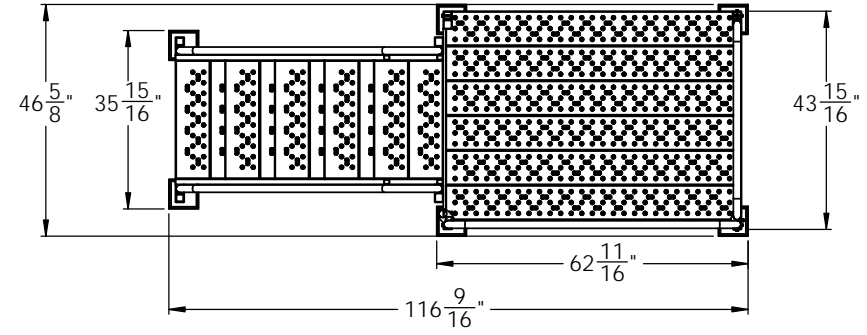
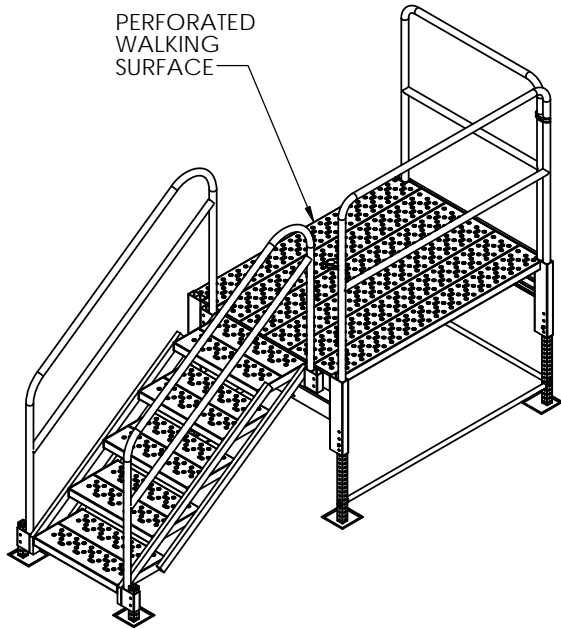




8 7 6 5 4 3 2 1

D
C
B
A

D
C
B
A

PERFORATED WALKING SURFACE



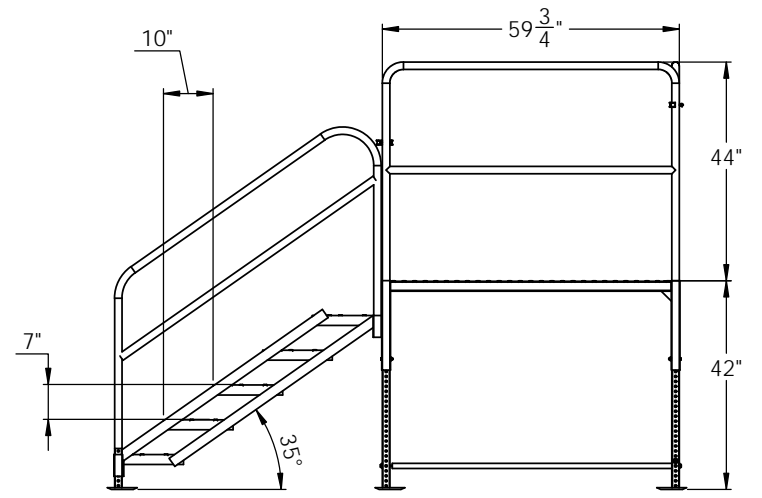
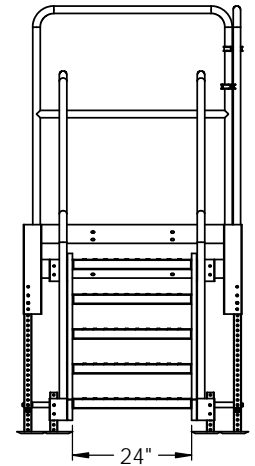
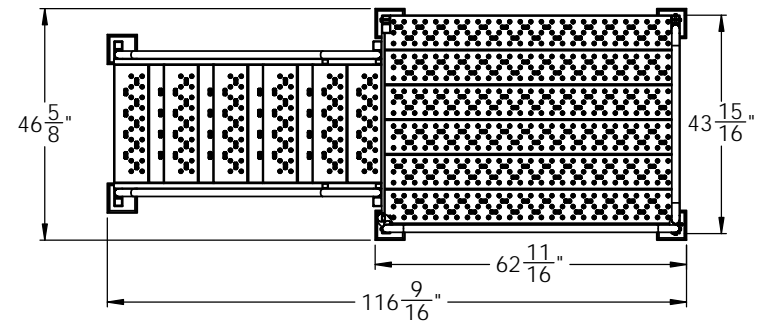
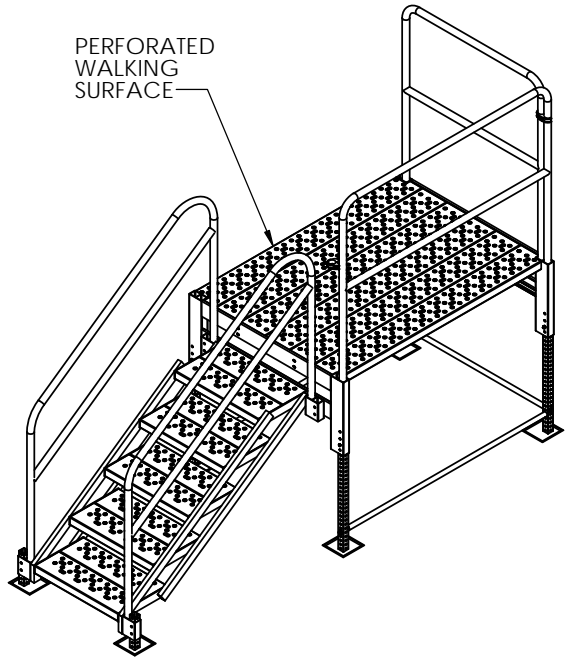
APPROVAL SIGNATURE:			TITLE:		
DATE:			4 - 5 STEP VERSA STEP TRAILER ACCESS STEP & PLATFORM		
PROPRIETARY AND CONFIDENTIAL THE INFORMATION CONTAINED IN THIS DRAWING IS THE SOLE PROPERTY OF TRI-ARC MANUFACTURING. ANY REPRODUCTION IN PART OR AS A WHOLE WITHOUT THE WRITTEN PERMISSION OF TRI-ARC MANUFACTURING IS PROHIBITED.	LEAD TIME: WEEKS MATERIAL: Steel & Alum FINISH: Unpainted		SIZE: B	DWG. NO.: TAVSC45-AS	REV: 01
DO NOT SCALE DRAWING			DRAWN: S.T. TBD	SCALE: 1:50	WEIGHT: 72.71


8 7 6 5 4 3 2 1

8 7 6 5 4 3 2 1

D
C
B
A

D
C
B
A



APPROVAL SIGNATURE:			TITLE:			
DATE:			4 - 5 STEP VERSA STEP TRAILER ACCESS STEP & PLATFORM			
PROPRIETARY AND CONFIDENTIAL THE INFORMATION CONTAINED IN THIS DRAWING IS THE SOLE PROPERTY OF TRI-ARC MANUFACTURING. ANY REPRODUCTION IN PART OR AS A WHOLE WITHOUT THE WRITTEN PERMISSION OF TRI-ARC MANUFACTURING IS PROHIBITED.	LEAD TIME	WEEKS	SIZE	DWG. NO.	REV	
	MATERIAL	Steel & Alum	B	TAVSC45-AS	01	
	FINISH	Unpainted	SCALE: 1:50			WEIGHT: 72.71
DO NOT SCALE DRAWING		DRAWN	S.T.	TBD		

8 7 6 5 4 3 2 1