
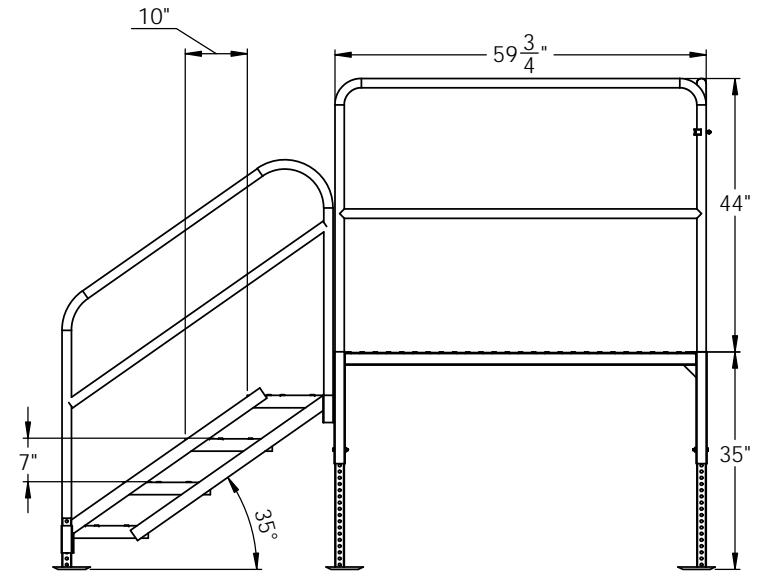
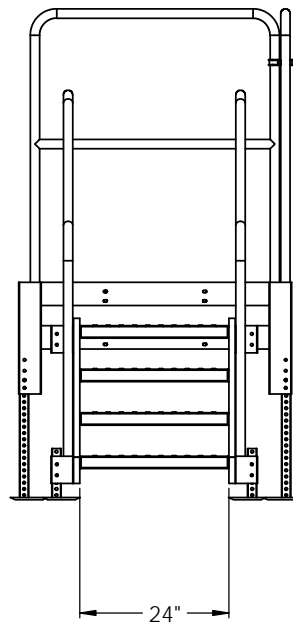
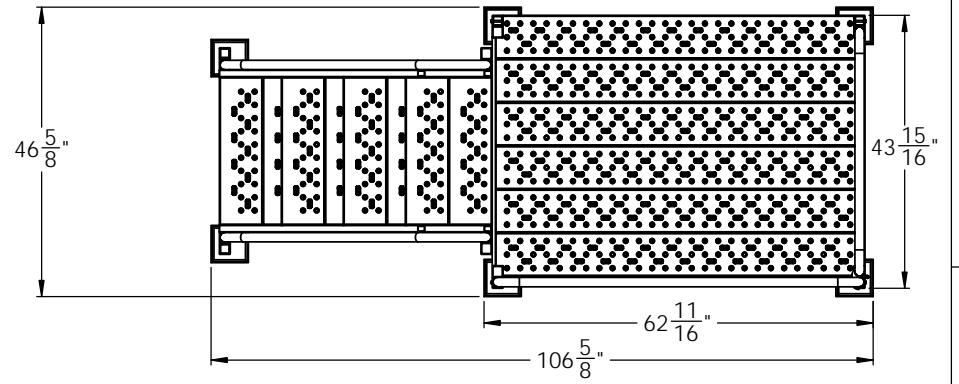
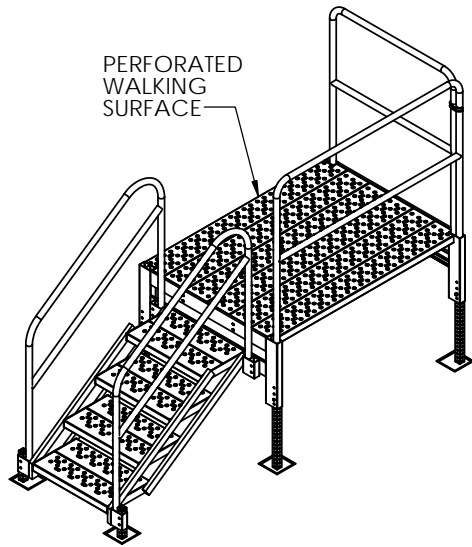




APPROVAL SIGNATURE:			TITLE:			
DATE:			3 - 4 STEP VERSA STEP TRAILER ACCESS STEP & PLATFORM			
<b>PROPRIETARY AND CONFIDENTIAL</b> THE INFORMATION CONTAINED IN THIS DRAWING IS THE SOLE PROPERTY OF TRI-ARC MANUFACTURING. ANY REPRODUCTION IN PART OR AS A WHOLE WITHOUT THE WRITTEN PERMISSION OF TRI-ARC MANUFACTURING IS PROHIBITED.	LEAD TIME	WEEKS	SIZE	DWG. NO.	REV	
	MATERIAL	Steel & Alum	<b>B</b>	TAVSC34-AS	01	
	FINISH	Unpainted	SCALE: 1:50		WEIGHT: 94.44	SHEET 5 OF 8
DO NOT SCALE DRAWING		DRAWN	S.T.	TBD		



APPROVAL SIGNATURE:			TITLE:		
DATE:			3 - 4 STEP VERSA STEP TRAILER ACCESS STEP & PLATFORM		
PROPRIETARY AND CONFIDENTIAL THE INFORMATION CONTAINED IN THIS DRAWING IS THE SOLE PROPERTY OF TRI-ARC MANUFACTURING. ANY REPRODUCTION IN PART OR AS A WHOLE WITHOUT THE WRITTEN PERMISSION OF TRI-ARC MANUFACTURING IS PROHIBITED.	LEAD TIME: WEEKS MATERIAL: Steel & Alum FINISH: Unpainted		SIZE: <b>B</b>	DWG. NO.: TAVSC34-AS	REV: <b>01</b>
DO NOT SCALE DRAWING			DRAWN: S.T. TBD	SCALE: 1:50	WEIGHT: 94.44