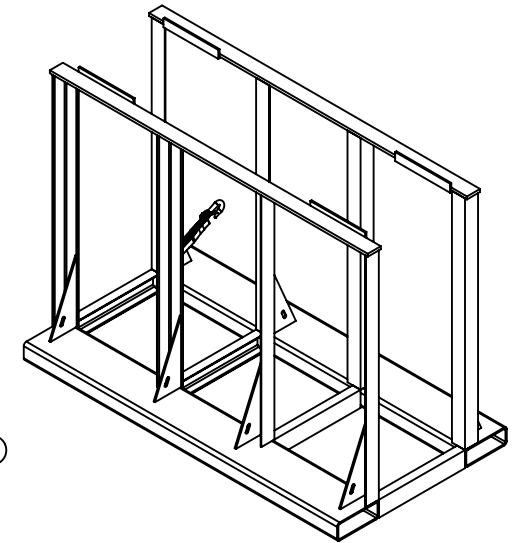
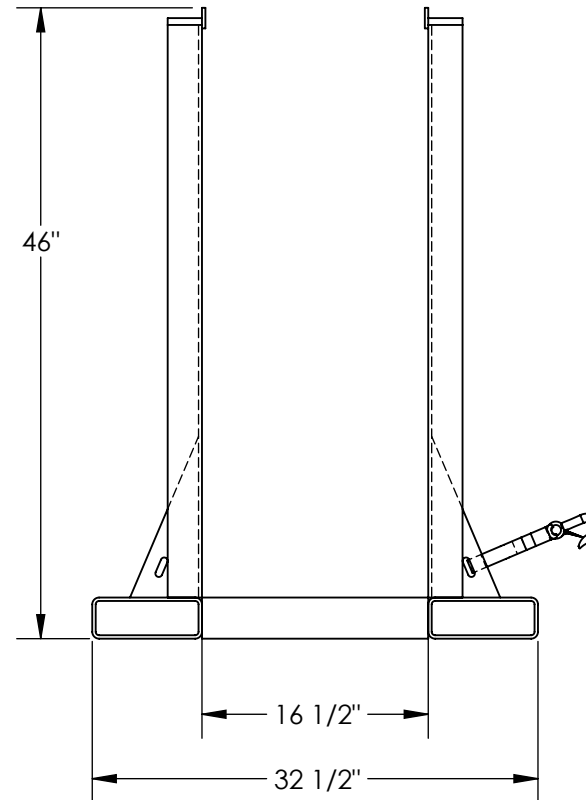
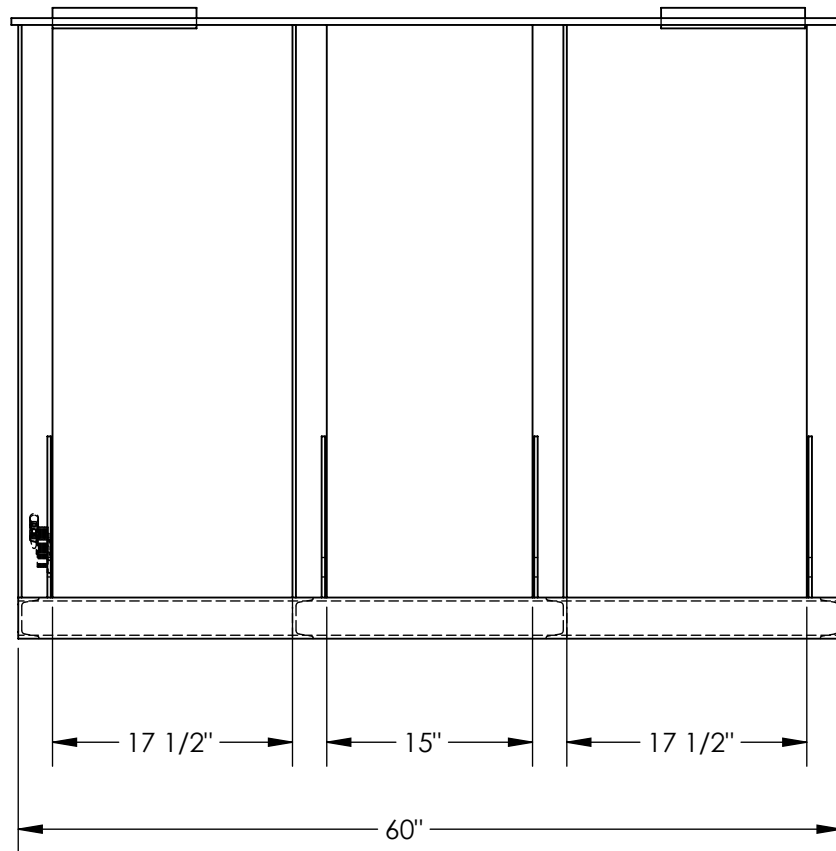


STACKABLE VERTICAL SHEET RACK - SVSR-3260

APPROX WEIGHT: 375.45 lbs.
 DOES NOT INCLUDE WEIGHT OF POWER OR PACKAGING!!!

*** ANY ADDITIONS, DELETIONS, OR OMISSIONS MUST BE CORRECTED ON THIS DRAWING AS THIS DRAWING WILL BE CONSIDERED ALL INCLUSIVE ***

ALL GRAPHICS PROVIDED ARE FOR REFERENCE ONLY. IF CERTAIN DIMENSIONS ARE CRITICAL PLEASE VERIFY THOSE DIMENSIONS WITH YOUR SALESPERSON



STANDARD FEATURES

- MODEL NUMBER IS SVSR-3260
- OVERALL WIDTH IS 32 1/2"
- OVERALL LENGTH IS 60"
- OVERALL HEIGHT IS 46"
- MAX CAPACITY IS 4000 LBS. FOR SINGLE WHEN ON FLOOR
- MAX CAPACITY IS 2500 LBS. FOR SECOND WHEN STACKED
- MAX STACK IS TWO HIGH

SPECIAL FEATURES

NONE

**A
P
P
R
O
V
A
L**

I, THE UNDERSIGNED, AGREE THAT THE PRODUCT AS REPRESENTED SATISFIES DESIGN AND DIMENSION REQUIREMENTS. I ALSO ACKNOWLEDGE MY DUTY TO CONFIRM PRODUCT AND INSTALLATION COMPLIANCE WITH ALL APPLICABLE FEDERAL, STATE AND LOCAL REGULATIONS AND STANDARDS.

ALL SPECIAL UNITS ARE NON-RETURNABLE

[] As drawn [] As marked

Signed: _____ Date: _____

LEAD TIME WILL START UPON RECEIPT OF SIGNED APPROVAL DRAWING

DISTRIBUTOR'S NAME:		P.O.#
VESTIL MANUFACTURING		X
DRAWN BY: CRM		DATE: 02/09/2011
REFERENCE: X		SALES: X
QUOTED LEAD TIME: X		SCALE: 1:14
QUOTE # X		FILE NAME: 31-007-146