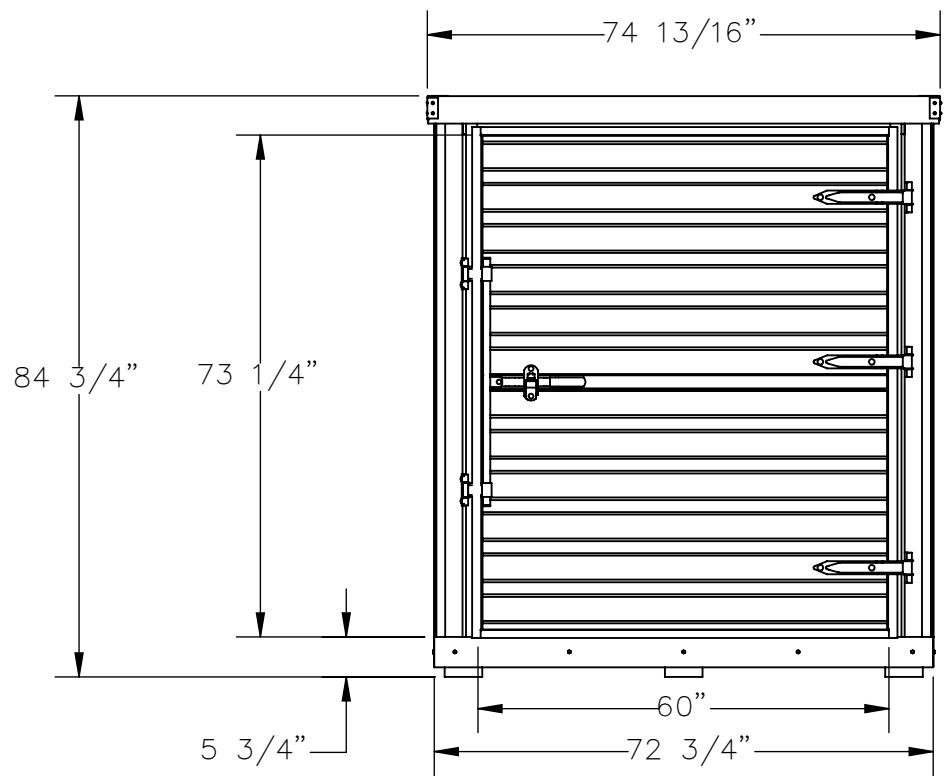
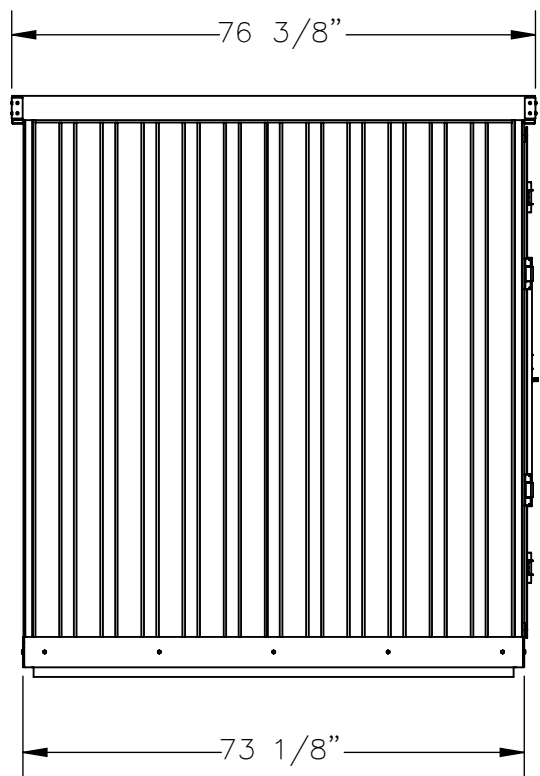


SINGLE DEPTH STORAGE BUILDING, WIDE DOOR - STOR-66-G-W-1RH-WD

APPROX WEIGHT: 626.10 lbs.
 DOES NOT INCLUDE WEIGHT OF POWER OR PACKAGING!!!

*** ANY ADDITIONS, DELETIONS, OR OMISSIONS MUST BE CORRECTED ON THIS DRAWING AS THIS DRAWING WILL BE CONSIDERED ALL INCLUSIVE ***
 ALL GRAPHICS PROVIDED ARE FOR REFERENCE ONLY. IF CERTAIN DIMENSIONS ARE CRITICAL PLEASE VERIFY THOSE DIMENSIONS WITH YOUR SALESPERSON



DIMENSION TOLERANCE ± 1/4"

STANDARD FEATURES

- MODEL NUMBER IS: STOR-66-G-W-1RH-WD
- UNIFORM FLOOR CAPACITY IS: 2,750 LBS.
- OVERALL WIDTH IS: 74 13/16"
- USABLE WIDTH IS: 69 1/2" (NOT SHOWN)
- OVERALL DEPTH IS: 76 3/8"
- USABLE DEPTH IS: 69 3/4" (NOT SHOWN)
- OVERALL HEIGHT IS: 84 3/4"
- USABLE INTERIOR HEIGHT IS: 77 3/8" (NOT SHOWN)
- USABLE DOOR OPENING IS: 60"W x 73 1/4"H
- WOODEN FLOOR HEIGHT IS: 5 3/4"
- ROOF SNOW LOAD RATING: 45 LBS / SQ FT.
- MAINTENANCE FREE GALVANIZED STEEL CONSTRUCTION
- SHIPS KNOCKED DOWN, ASSEMBLY REQUIRED

SPECIAL FEATURES

NONE

A P P R O V A L

I, THE UNDERSIGNED, AGREE THAT THE PRODUCT AS REPRESENTED SATISFIES DESIGN AND DIMENSION REQUIREMENTS. I ALSO ACKNOWLEDGE MY DUTY TO CONFIRM PRODUCT AND INSTALLATION COMPLIANCE WITH ALL APPLICABLE FEDERAL, STATE AND LOCAL REGULATIONS AND STANDARDS.

UNITS REQUIRING APPROVAL DRAWINGS OR MODIFIED ARE NON-RETURNABLE

As drawn As marked

Signed: _____ Date: _____

Printed Name: _____

LEAD TIME WILL START UPON RECEIPT OF SIGNED APPROVAL DRAWING

DISTRIBUTOR'S NAME:		P.O.#
VESTIL MANUFACTURING		X
DRAWN BY: JGP		W.O.#
DATE: 12/22/2020		X
REFERENCE: X	SCALE: 1:28	SALES: X
QUOTED LEAD TIME: X	QUOTE #	FILE NAME:
	X	41-007-063