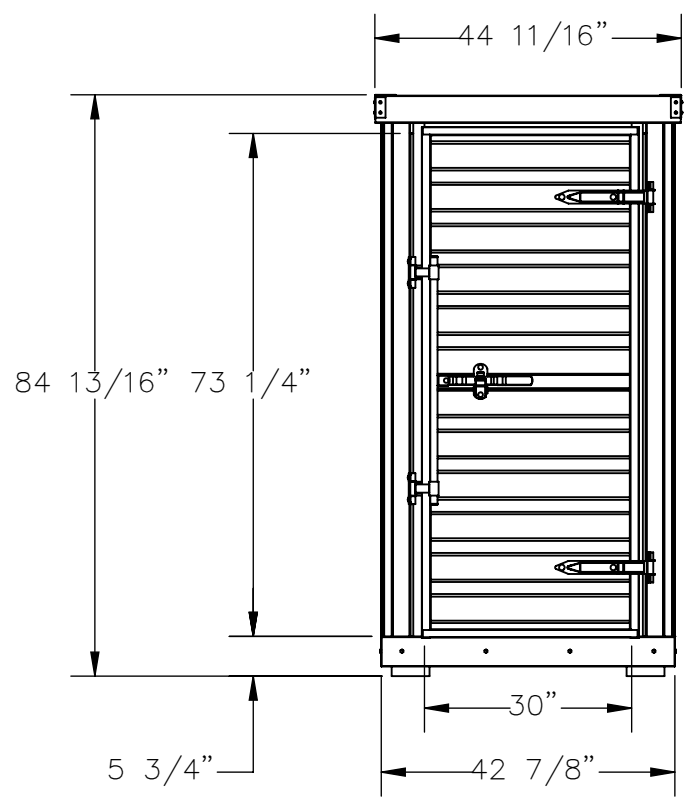
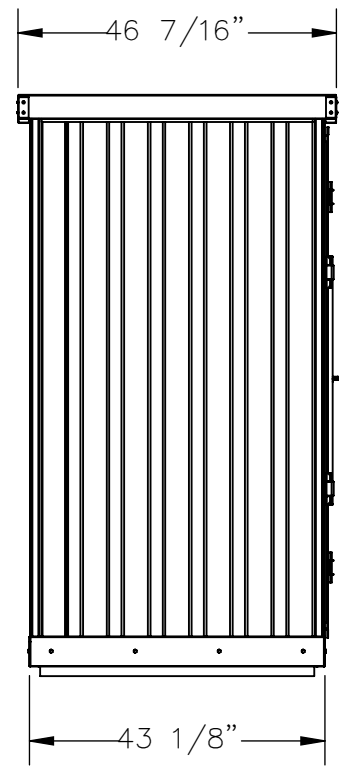


SINGLE DEPTH STORAGE LOCKER - STOR-44-G-W-1RH

APPROX WEIGHT: 375.10 lbs.
 DOES NOT INCLUDE WEIGHT OF POWER OR PACKAGING!!!

*** ANY ADDITIONS, DELETIONS, OR OMISSIONS MUST BE CORRECTED ON THIS DRAWING AS THIS DRAWING WILL BE CONSIDERED ALL INCLUSIVE ***
 ALL GRAPHICS PROVIDED ARE FOR REFERENCE ONLY. IF CERTAIN DIMENSIONS ARE CRITICAL PLEASE VERIFY THOSE DIMENSIONS WITH YOUR SALESPERSON



DIMENSION TOLERANCE ± 1/4"

STANDARD FEATURES

- MODEL NUMBER IS: STOR-44-G-W-1RH
- UNIFORM FLOOR CAPACITY IS: 2,750 LBS.
- OVERALL WIDTH IS: 44 11/16"
- USABLE WIDTH IS: 39 1/2" (NOT SHOWN)
- OVERALL DEPTH IS: 46 7/16"
- USABLE DEPTH IS: 39 3/4" (NOT SHOWN)
- OVERALL HEIGHT IS: 84 13/16"
- USABLE INTERIOR HEIGHT IS: 77 3/8" (NOT SHOWN)
- USABLE DOOR OPENING IS: 30"W x 73 1/4"H
- WOODEN FLOOR HEIGHT IS: 5 3/4"
- ROOF SNOW LOAD RATING: 45 LBS / SQ FT.
- MAINTENANCE FREE GALVANIZED STEEL CONSTRUCTION
- SHIPS KNOCKED DOWN, ASSEMBLY REQUIRED

SPECIAL FEATURES

NONE

APPROVAL

I, THE UNDERSIGNED, AGREE THAT THE PRODUCT AS REPRESENTED SATISFIES DESIGN AND DIMENSION REQUIREMENTS. I ALSO ACKNOWLEDGE MY DUTY TO CONFIRM PRODUCT AND INSTALLATION COMPLIANCE WITH ALL APPLICABLE FEDERAL, STATE AND LOCAL REGULATIONS AND STANDARDS.

UNITS REQUIRING APPROVAL DRAWINGS OR MODIFIED ARE NON-RETURNABLE

As drawn As marked

Signed: _____ Date: _____

Printed Name: _____

LEAD TIME WILL START UPON RECEIPT OF SIGNED APPROVAL DRAWING

| | | |
|----------------------|-------------|------------|
| DISTRIBUTOR'S NAME: | | P.O.# |
| VESTIL MANUFACTURING | | X |
| DRAWN BY: JGP | | W.O.# |
| DATE: 12/23/2020 | | X |
| REFERENCE: X | SCALE: 1:28 | SALES: X |
| QUOTED LEAD TIME: X | QUOTE # | FILE NAME: |
| | X | 41-007-065 |