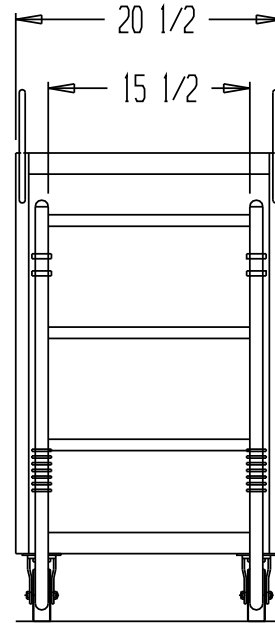
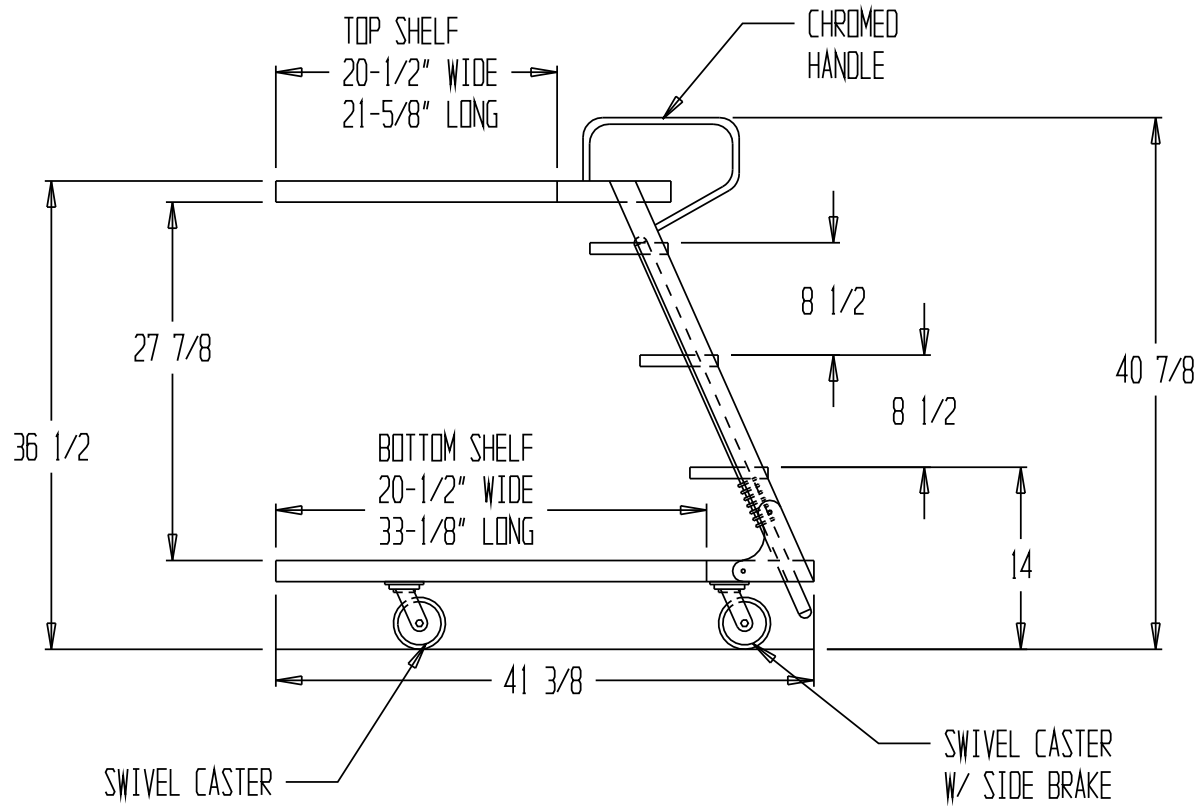


STEEL CANTILEVER STOCKPICKER TRUCK - SPS2-2041-C



All graphics provided are for reference only. If certain dimensions are critical please verify those dimensions with your salesperson

STANDARD FEATURES

MODEL NUMBER: SPS2-2041-C
 TOTAL CAPACITY: 440 LBS
 TOP SHELF CAPACITY: 110 LBS
 BOTTOM SHELF CAPACITY: 330 LBS
 4 x 2 POLY ON POLY CASTERS
 SPRING LOADED SELF LOCKING LADDER

PRODUCTION WILL START UPON RECEIPT OF SIGNED APPROVAL DRAWING

**SPECIAL UNITS ARE NON-RETURNABLE
 *AVAILABLE AT ADDITIONAL COSTS

FOR INTERNAL USE ONLY PROJECT SIGN OFF		I, THE UNDERSIGNED, AGREE THAT THE PRODUCT AS REPRESENTED SATISFIES DESIGN & DIMENSION REQUIREMENTS. I ALSO ACKNOWLEDGE MY DUTY TO CONFIRM PRODUCT & INSTALLATION COMPLIANCE WITH ALL APPLICABLE FEDERAL, STATE AND LOCAL REGULATIONS & STANDARDS. ANY MODIFIED UNITS ARE NON-RETURNABLE [] As drawn [] As marked	
SALES		Signed: _____	Date: _____
ENG		Printed Name: _____	
FAB.		LEAD TIME WILL START UPON RECEIPT OF SIGNED APPROVAL DRAWING	
POWER			
DISTRIBUTOR'S NAME: VESTIL MANUFACTURING		P.O.#: -	
DRAWN BY: P. ENGLISH		DATE: 1-17-00	
REFERENCE: -		SCALE: -	
QUOTED LEADTIME: -		QUOTE #: -	
		DRWG./FILE NAME: SPS2-2041-C	