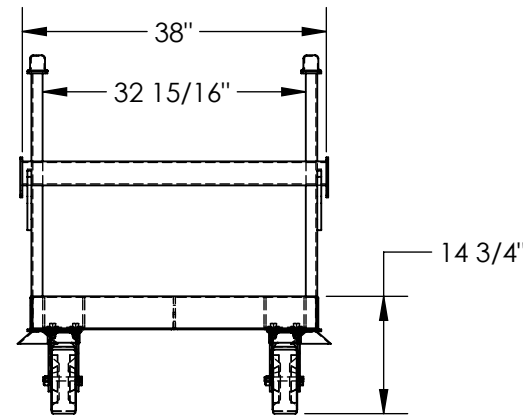
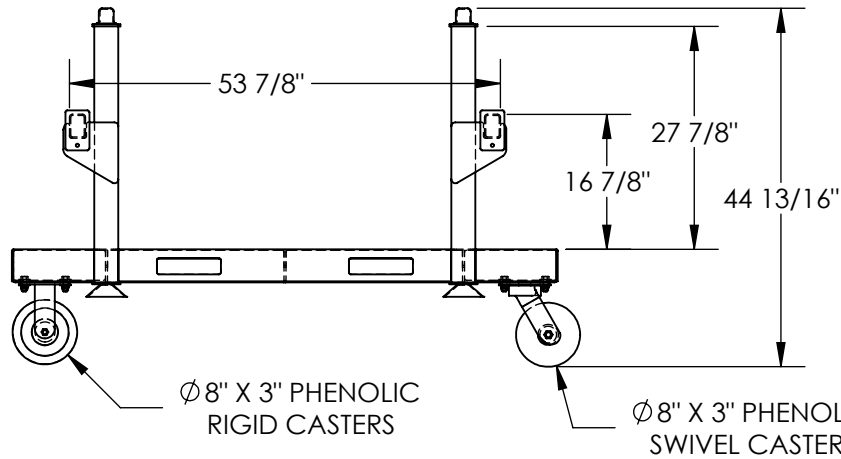
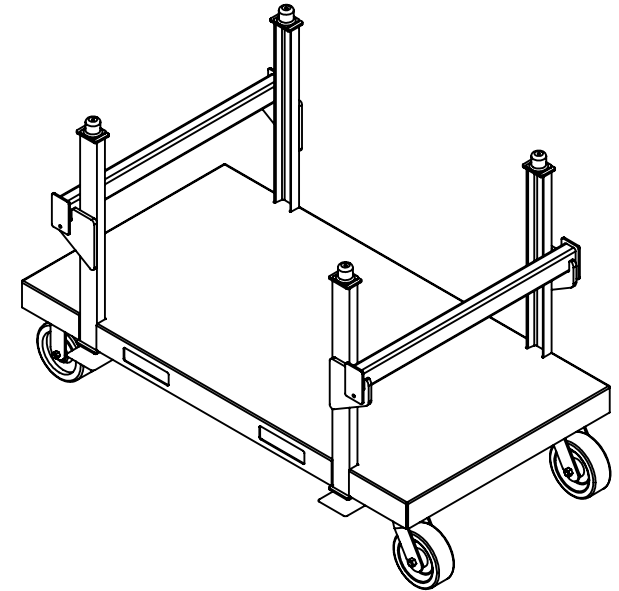
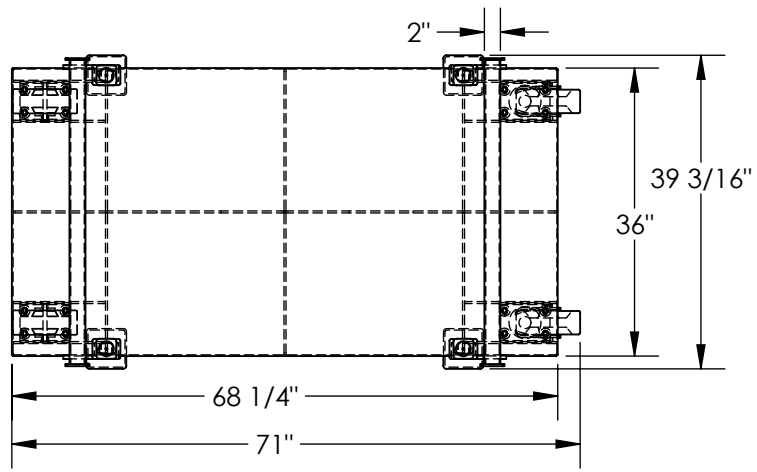


# HEAVY DUTY STACKABLE MATERIAL CART - SPC-3668-2L

APPROX WEIGHT: 409.7628 lbs.  
 DOES NOT INCLUDE WEIGHT OF POWER OR PACKAGING!!!

\*\*\* ANY ADDITIONS, DELETIONS, OR OMISSIONS MUST BE CORRECTED ON THIS DRAWING AS THIS DRAWING WILL BE CONSIDERED ALL INCLUSIVE \*\*\*

ALL GRAPHICS PROVIDED ARE FOR REFERENCE ONLY. IF CERTAIN DIMENSIONS ARE CRITICAL PLEASE VERIFY THOSE DIMENSIONS WITH YOUR SALESPERSON



DIMENSION TOLERANCE ± 1/4"

**UNITS REQUIRING APPROVAL DRAWINGS OR MODIFIED ARE NON-RETURNABLE**

[ ] As drawn    [ ] As marked

Signed: \_\_\_\_\_ Date: \_\_\_\_\_

Printed Name: \_\_\_\_\_

*LEAD TIME WILL START UPON RECEIPT OF SIGNED APPROVAL DRAWING*

**APPROVAL**

## STANDARD FEATURES

- MODEL NUMBER IS SPC-3668-2L
- OVERALL WIDTH IS 39 3/16"
- USABLE WIDTH IS 32 15/16"
- OVERALL LENGTH IS 71"
- USABLE LENGTH IS 68 1/4"
- OVERALL HEIGHT IS 44 13/16"
- DECK HEIGHT IS 14 3/4"
- CROSS BAR IS 2" W X 38" LG
- MAX CAPACITY IS 5,000 LBS.
- FOR STORAGE: EMPTY CARTS CAN BE STACKED 3 HIGH
- TOUGH BAKED IN POWDER COATED BLUE FINISH

## SPECIAL FEATURES

NONE

FOR INTERNAL USE ONLY PROJECT SIGN OFF	
SALES	
ENG.	
FAB.	
POWER	

DISTRIBUTOR'S NAME: <b>VESTIL MANUFACTURING</b>		P.O.# X
DRAWN BY: CRA		W.O.# X
DATE: 01/04/2019	SALES: X	FILE NAME:
REFERENCE: X	SCALE: 1:24	33-007-375
QUOTED LEAD TIME: X	QUOTE # X	