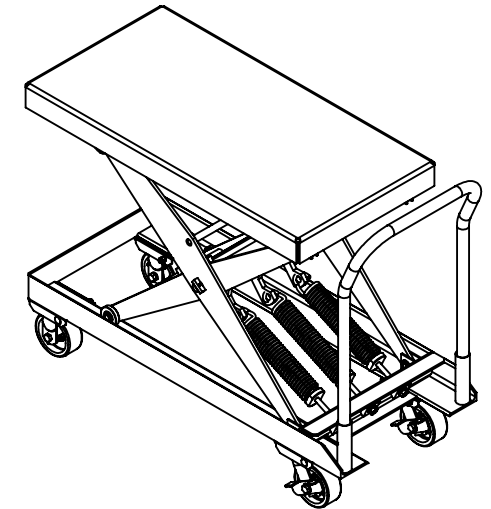
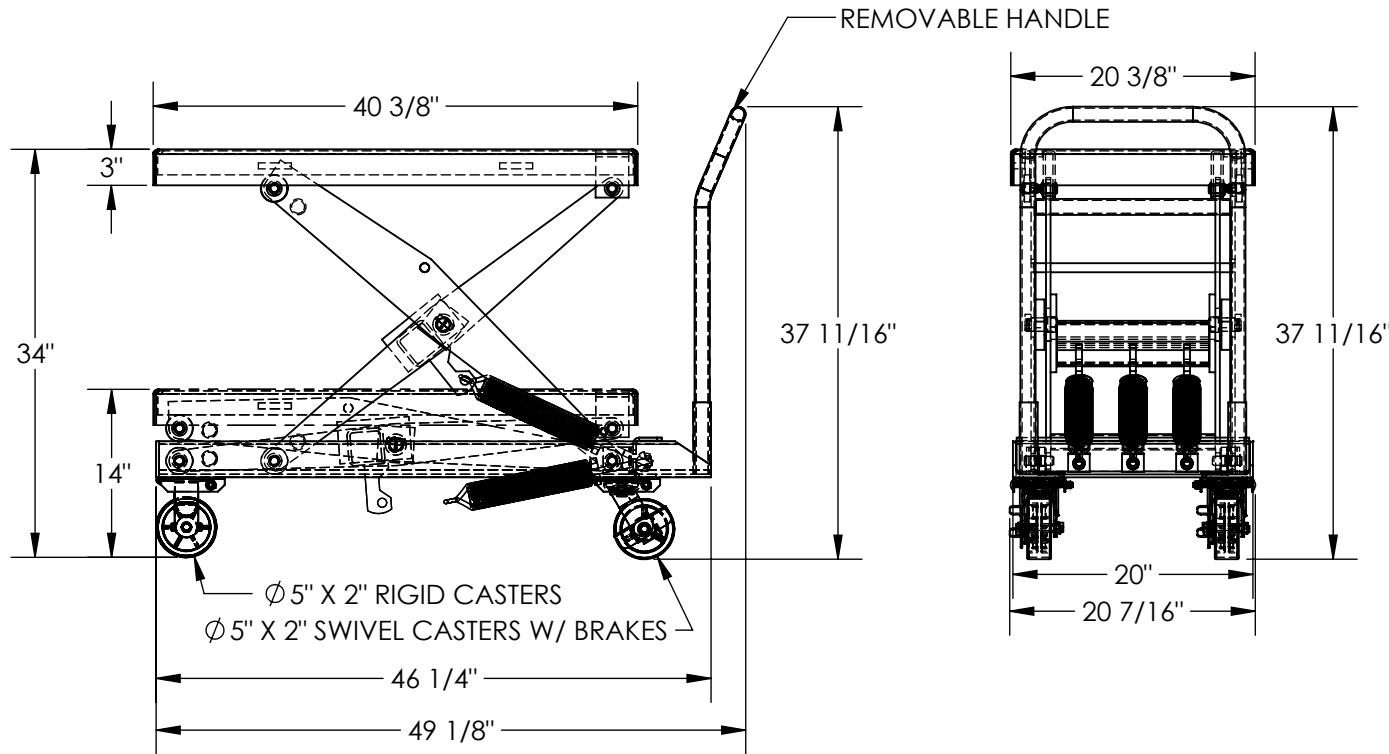


# AUTO-HITE CART - SCSC-750-2040

APPROX WEIGHT: 275.66 lbs.  
 DOES NOT INCLUDE WEIGHT OF POWER OR PACKAGING!!!

\*\*\* ANY ADDITIONS, DELETIONS, OR OMISSIONS MUST BE CORRECTED ON THIS DRAWING AS THIS DRAWING WILL BE CONSIDERED ALL INCLUSIVE \*\*\*

ALL GRAPHICS PROVIDED ARE FOR REFERENCE ONLY. IF CERTAIN DIMENSIONS ARE CRITICAL PLEASE VERIFY THOSE DIMENSIONS WITH YOUR SALESPERSON



DIMENSION TOLERANCE ± 1/4"

I, THE UNDERSIGNED, AGREE THAT THE PRODUCT AS REPRESENTED SATISFIES DESIGN AND DIMENSION REQUIREMENTS. I ALSO ACKNOWLEDGE MY DUTY TO CONFIRM PRODUCT AND INSTALLATION COMPLIANCE WITH ALL APPLICABLE FEDERAL, STATE AND LOCAL REGULATIONS AND STANDARDS.

**ANY MODIFIED UNITS ARE NON-RETURNABLE**

As drawn       As marked

Signed: \_\_\_\_\_ Date: \_\_\_\_\_

Printed Name: \_\_\_\_\_

LEAD TIME WILL START UPON RECEIPT OF SIGNED APPROVAL DRAWING

APPROVAL

## STANDARD FEATURES

MODEL NUMBER IS SCSC-750-2040

OVERALL WIDTH IS 20 7/16"

OVERALL LENGTH IS 49 1/8"

OVERALL HEIGHT IS 37 11/16"

MAX CAPACITY IS 750 LBS

DECK: 20 3/8" W X 40 3/8" L

FRAME: 20" W X 46 1/4" L

RAISED HEIGHT: 34"

LOWERED HEIGHT: 14"

TRAVEL: 20"

2 Ø 5" X 2" RIGID CASTERS

2 Ø 5" X 2" SWIVEL CASTERS W/ BRAKES

SPRING RATE: 38 LBS/IN

# OF SPRINGS: 3

## SPECIAL FEATURES

NONE

FOR INTERNAL USE ONLY  
 PROJECT SIGN OFF

SALES	
ENG.	
FAB.	
POWER	

DISTRIBUTOR'S NAME:		P.O.#	X
		W.O.#	X
DRAWN BY:	KEC	DATE:	04/08/2016
REFERENCE:	X	SCALE:	1:16
QUOTED LEAD TIME:	X	QUOTE #	X
			FILE NAME:
			01-007-130