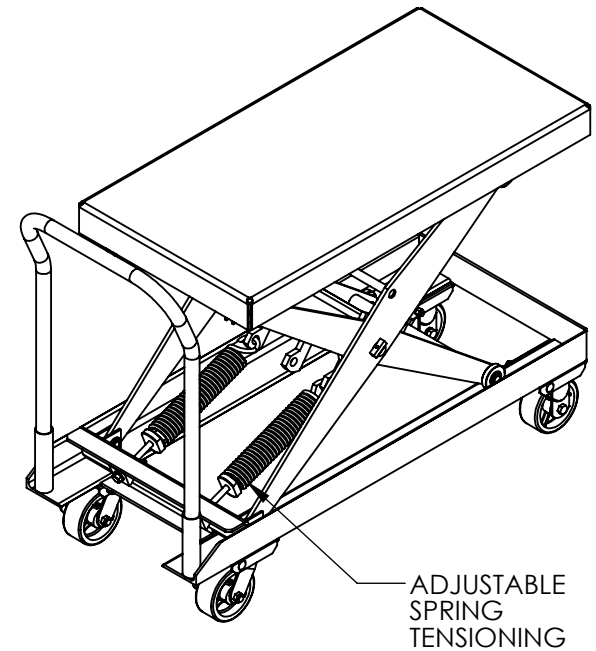
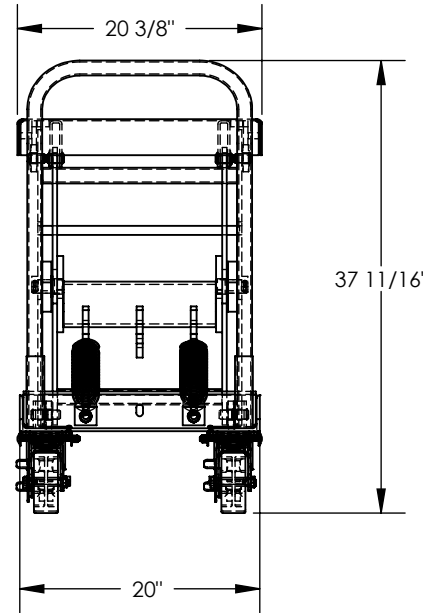
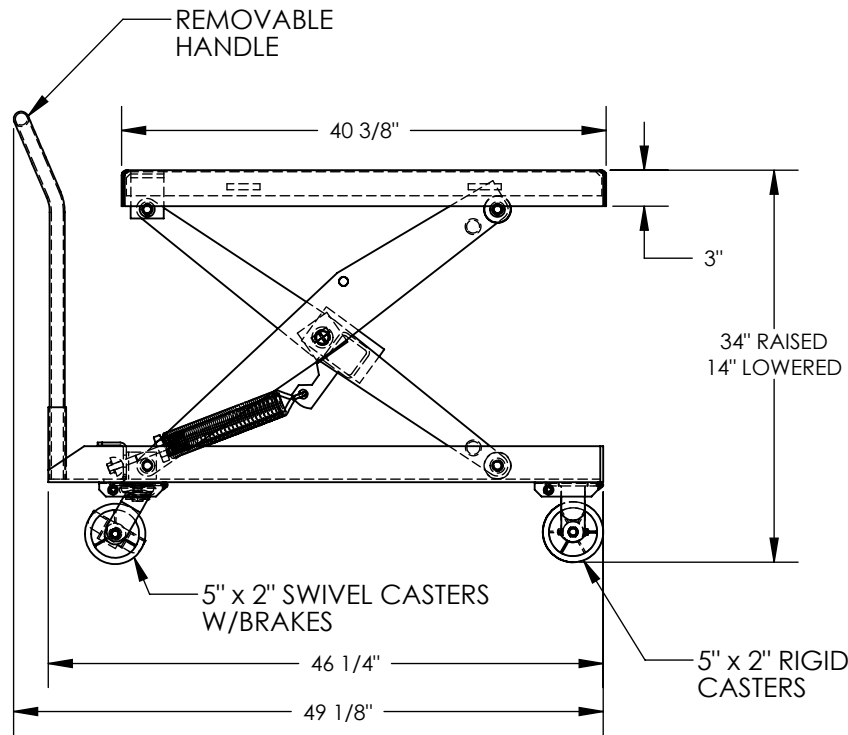


AUTO-HITE CART - SCSC-500-2040

APPROX WEIGHT: 268.52 lbs.
DOES NOT INCLUDE WEIGHT OF POWER OR PACKAGING!!!

*** ANY ADDITIONS, DELETIONS, OR OMISSIONS MUST BE CORRECTED ON THIS DRAWING AS THIS DRAWING WILL BE CONSIDERED ALL INCLUSIVE ***

ALL GRAPHICS PROVIDED ARE FOR REFERENCE ONLY. IF CERTAIN DIMENSIONS ARE CRITICAL PLEASE VERIFY THOSE DIMENSIONS WITH YOUR SALESPERSON



STANDARD FEATURES

MODEL NUMBER IS SCSC-500-2040

OVERALL WIDTH IS 20 3/8"

OVERALL LENGTH IS 49 1/8"

OVERALL HEIGHT IS 37 11/16"

MAX CAPACITY IS 500 LBS.

DECK: 20 3/8" W x 40 3/8" L

FRAME: 20" W x 46 1/4" L

RAISED HEIGHT: 34"

LOWERED HEIGHT: 14"

TRAVEL: 20"

5" x 2" CASTERS (2 SWIVEL W/BRAKE,

2 RIGID)

SPRING RATE: 25 LBS/IN

OF SPRINGS: 2

SPECIAL FEATURES

NONE

DIMENSION TOLERANCE ± 1/4"

APPROVAL

I, THE UNDERSIGNED, AGREE THAT THE PRODUCT AS REPRESENTED SATISFIES DESIGN AND DIMENSION REQUIREMENTS. I ALSO ACKNOWLEDGE MY DUTY TO CONFIRM PRODUCT AND INSTALLATION COMPLIANCE WITH ALL APPLICABLE FEDERAL, STATE AND LOCAL REGULATIONS AND STANDARDS.

ANY MODIFIED UNITS ARE NON-RETURNABLE

[] As drawn [] As marked

Signed: _____ Date: _____

Printed Name: _____

LEAD TIME WILL START UPON RECEIPT OF SIGNED APPROVAL DRAWING

FOR INTERNAL USE ONLY
PROJECT SIGN OFF

SALES	
ENG.	
FAB.	
POWER	

DISTRIBUTOR'S NAME:		P.O.#	X
		W.O.#	X
DRAWN BY:	MVG	DATE:	12/27/12
REFERENCE:	X	SCALE:	1:16
QUOTED LEAD TIME:	X	QUOTE #	X
		FILE NAME:	01-007-012