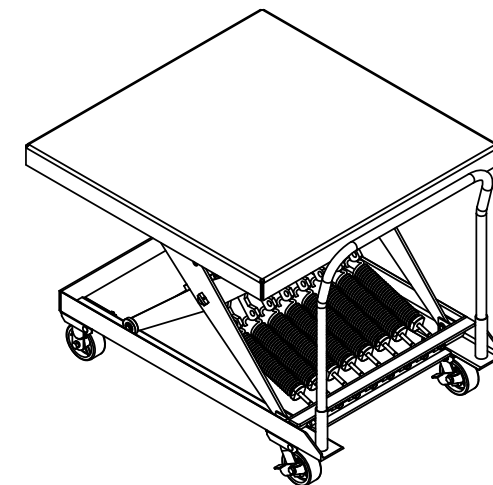
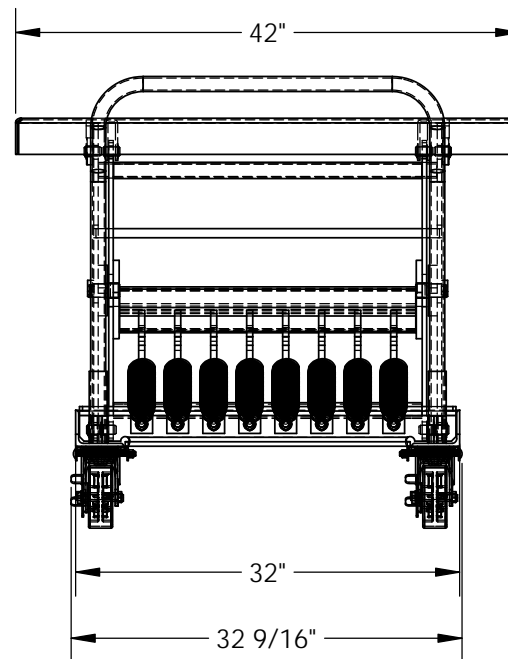
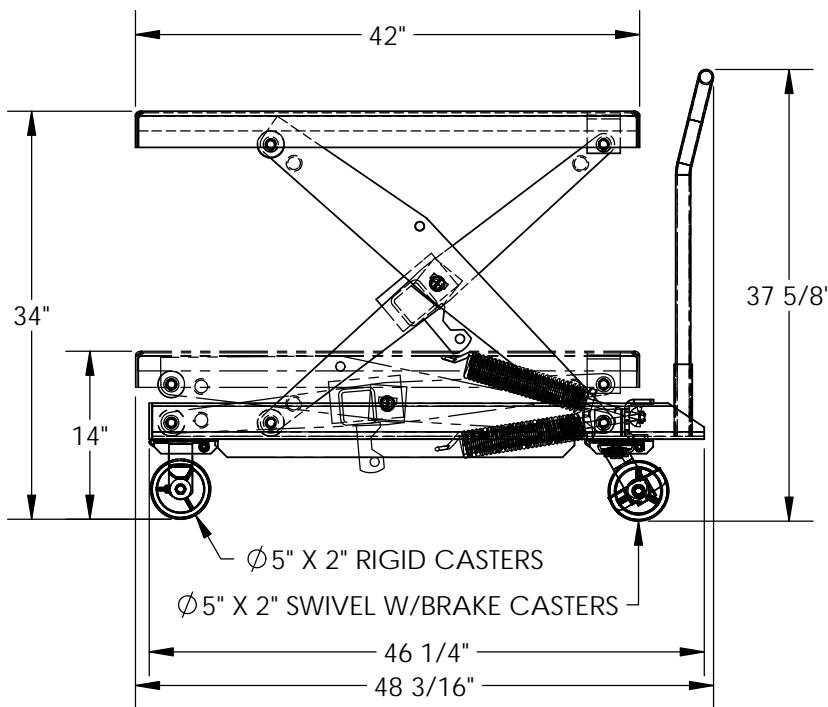


AUTO-HITE CART - SCSC-2000-4242

APPROX WEIGHT: 393.81 lbs.
 DOES NOT INCLUDE WEIGHT OF POWER OR PACKAGING!!!

*** ANY ADDITIONS, DELETIONS, OR OMISSIONS MUST BE CORRECTED ON THIS DRAWING AS THIS DRAWING WILL BE CONSIDERED ALL INCLUSIVE ***

ALL GRAPHICS PROVIDED ARE FOR REFERENCE ONLY. IF CERTAIN DIMENSIONS ARE CRITICAL PLEASE VERIFY THOSE DIMENSIONS WITH YOUR SALESPERSON



DIMENSION TOLERANCE ± 1/4"

STANDARD FEATURES

- MODEL NUMBER IS SCSC-2000-4242
- MAX CAPACITY IS 2,000 LBS
- OVERALL HEIGHT: 37 5/8"
- DECK SIZE: 42" W X 42" L
- FRAME SIZE: 32" W X 46 1/4" L
- RAISED HEIGHT: 34"
- LOWERED HEIGHT: 14"
- TRAVEL: 20"
- 2 Ø5" X 2" RIGID CASTERS
- 2 Ø5" X 2" SWIVEL W/BRAKE CASTERS
- SPRING RATE; 100 LBS/IN
- # OF SPRINGS: 8

SPECIAL FEATURES

NONE

APPROVAL	I, THE UNDERSIGNED, AGREE THAT THE PRODUCT AS REPRESENTED SATISFIES DESIGN AND DIMENSION REQUIREMENTS. I ALSO ACKNOWLEDGE MY DUTY TO CONFIRM PRODUCT AND INSTALLATION COMPLIANCE WITH ALL APPLICABLE FEDERAL, STATE AND LOCAL REGULATIONS AND STANDARDS.	
	ANY MODIFIED UNITS ARE NON-RETURNABLE	
	[] As drawn [] As marked	
	Signed: _____	Date: _____
	Printed Name: _____	
LEAD TIME WILL START UPON RECEIPT OF SIGNED APPROVAL DRAWING		

FOR INTERNAL USE ONLY PROJECT SIGN OFF	
SALES	
ENG.	
FAB.	
POWER	

DISTRIBUTOR'S NAME: _____		P.O.# X
		W.O.# X
DRAWN BY: KEC	DATE: 4/11/16	SALES: X
REFERENCE: X	SCALE: 1:16	FILE NAME:
QUOTED LEAD TIME: X	QUOTE # X	01-007-129