



VESTIL MANUFACTURING CORP.

2999 North Wayne Street, P.O. Box 507, Angola, IN 46703

Telephone: (260) 665-7586 -or- Toll Free (800) 348-0868

Fax: (260) 665-1339

www.vestilmfg.com e-mail: sales@vestil.com

LSC-2448-PT LANDSCAPE CART ASSEMBLY INSTRUCTIONS



Receiving instructions:

After delivery, immediately remove the packaging from the product in a manner that preserves the packaging and maintains the orientation of the product in the packaging; then inspect the product closely to determine whether it sustained damage during transport. If damage is discovered during the inspection, immediately record a complete description of the damage on the bill of lading. If the product is undamaged, discard the packaging.

NOTES:

- 1) Compliance with laws, regulations, codes, and non-voluntary standards enforced in the location where the product is *used* is exclusively the responsibility of the owner/end-user.
- 2) Vestil is not liable for any injury or property damage that occurs as a consequence of failing to apply either:
 - a) Instructions in this manual; or
 - b) Information provided on labels affixed to the product. Neither is Vestil responsible for *any* consequential damages sustained as a result of failing to exercise sound judgment while assembling, installing, using or maintaining this product.

Table of Contents

Hazard identification: explanation of signal words.....	2
Product Specifications by Model.....	2
Safety Guidelines.....	2
Components.....	3
Assembly instructions.....	4 - 6
Limited warranty.....	7

Hazard Identification--Explanation of SIGNAL WORDS

This manual uses SIGNAL WORDS to indicate the likelihood of personal injuries, as well as the probable seriousness of those injuries, if the product is misused in the ways described. Other signal words call attention to uses of the product likely cause property damage. The signal words used appear below along with the meaning of each word:



Identifies a hazardous situation which, if not avoided, WILL result in DEATH or SERIOUS INJURY. Use of this signal word is limited to the most extreme situations.



Identifies a hazardous situation which, if not avoided, COULD result in DEATH or SERIOUS INJURY.



Indicates a hazardous situation which, if not avoided, COULD result in MINOR or MODERATE injury.



Identifies practices likely to result in product/property damage, such as operation that might damage the product.

Each person who assembles, installs, uses, or maintains this product should read the entire manual in advance and fully understand the directions. If after reading the manual you do not understand an instruction, ask your supervisor or employer for clarification, because failure to adhere to the directions in this manual might result in serious personal injury.

Product Specifications:

Model	Description	Deck Dimensions	Height of Sides	Deck Elevation	Uniform Static Capacity	Wheel dimensions	Net Weight
LSC-2448-4SD	Fold-down sides	24in. x 48in. (61cm x 122cm)	12in. (30½in.)	28¾in. (72in.)	1,000 pounds (454.5kg)	13in. x 4¾in. (33cm x 12cm)	95 lb. 43.2kg
LSC-2448-TC	Low profile tilting cart	24in. x 48in. (61cm x 122cm)	1in. (2.5cm)	3in. (7.6cm)	500 pounds (227.3cm)	16in. x 4in. (40.6cm x 10cm)	58 lb. (26.4kg)
LSC-2448-PT	Platform cart	24in. x 48in. (61cm x 122cm)	½in. (1.3cm)	12¾in. (32.4cm)	500 pounds (227.3cm)	10in. 3½in. (25cm x 9cm)	55 lb. (25kg)
LSC-2448-SC	Double decker cart	24in. x 48in. (61cm x 122cm)	1¾in. (4.4cm)	33in. (84cm)	300 pounds (136.4cm)	10 x 3½in. (25cm x 9cm)	98 lb. (44.5kg)
LSC-3052-PCW	Composite crate cart	30in. x 46¾in. (76cm x 117½cm)	14in. (35½cm)	42in. (107cm)	1,000 pounds (454.5kg)	13in. 5in. (33cm x 13cm)	64 lb. (29.1kg)

Safety Guidelines:

Vestil diligently strives to identify foreseeable hazards associated with the use of its products. However, material handling is inherently dangerous and no manual can address every conceivable risk. The end-user ultimately is responsible for exercising sound judgment at all times.



Failure to read and understand the entire manual before assembling, using and servicing the cart is a misuse of the product. If this product is used improperly or carelessly, the user and/or bystanders might sustain serious personal injuries. To reduce the likelihood of injury:

- DO NOT modify the product in any way UNLESS you first obtain written approval from Vestil. Unauthorized modifications **automatically void the Limited Warranty and might make the product unsafe to use.**
- DO NOT attempt to carry or transport loads that exceed the capacity of the cart. Secure loads to the deck. Always center and evenly distribute all loads placed on the cart.
- DO NOT stand, sit or ride on the cart.
- DO NOT use the cart if you hear unusual sounds while raising or lowering the deck.
- Always watch the load carefully while the cart is moving.
- Always control the cart from the uphill side while moving up or down slopes.



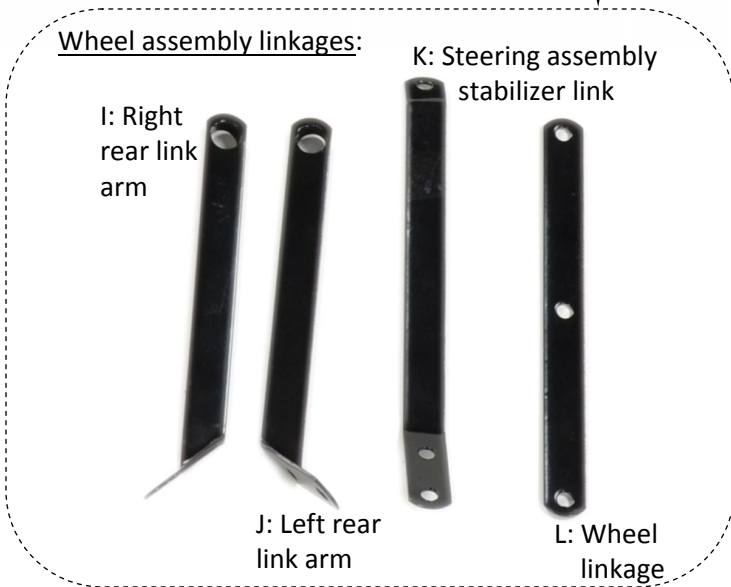
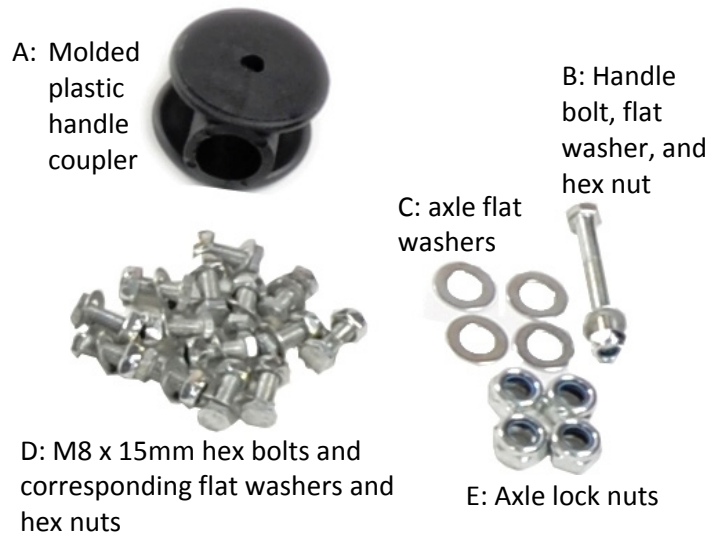
Proper use, maintenance, and storage are essential for this product to function properly.

- Regularly check all fasteners. Tighten loose nuts and lubricate pivot points as necessary.
- Check tire inflation. Air pressure should equal the recommended inflation pressure that appears on the sidewalls of the tires.

Components:

Item	Quantity	Item	Quantity
A	1	I	1
B	1	J	1
C	4	K	1
D	13	L	1
E	4	M	1
F	4	N	1
G	1	P	1
H	1		

Hardware:

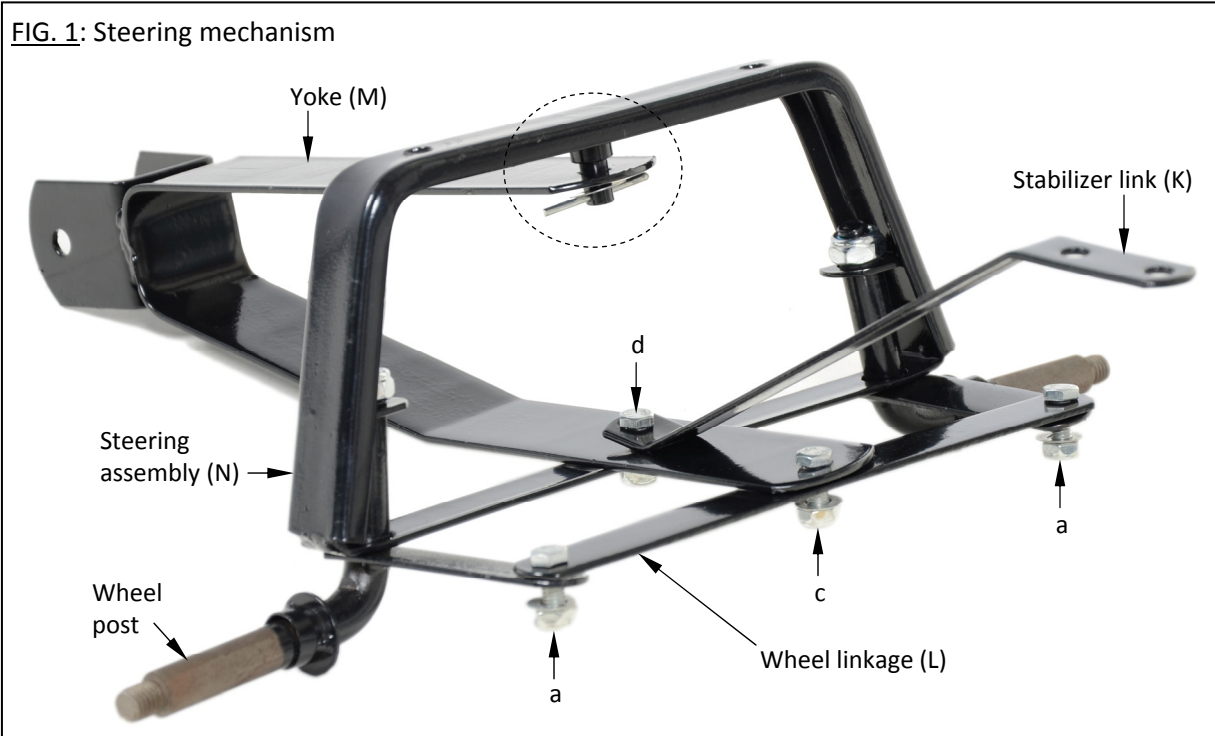


M: Steering yoke

Assembly instructions:

1. Assemble the steering mechanism:

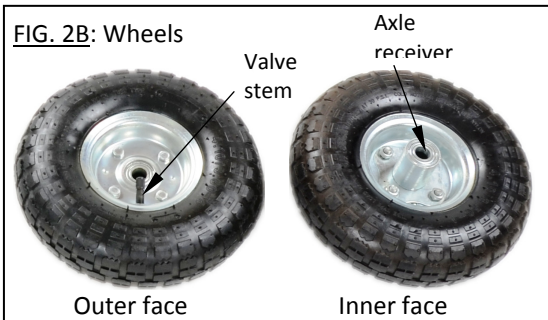
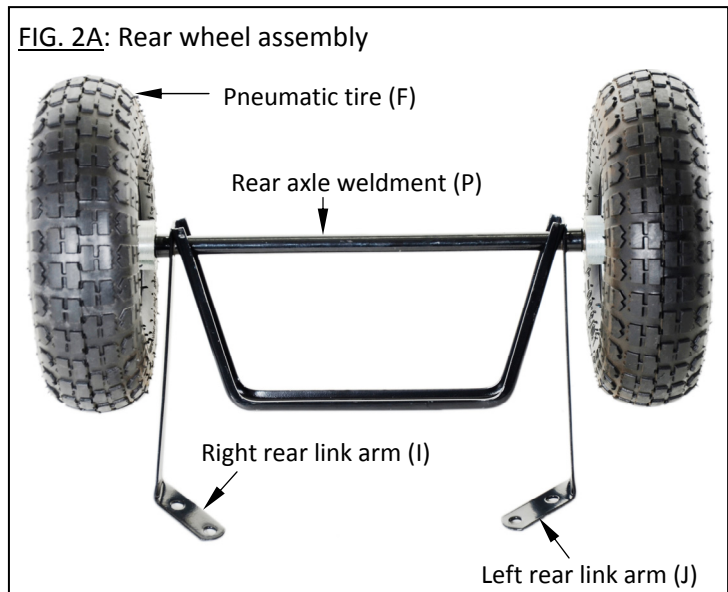
- a) Attach the wheel linkage (L) to the steering assembly (N) with 2 bolts (D) shown in FIG. 1 (location of bolts marked with "a"); then
- b) Slide the bolt hole in the upper arm of the yoke (M) onto the peg of the assembly (N) and then slide a cotter pin through the pin hole in the peg. These connections are circled in FIG. 1 below;
- c) Fasten the bottom leg of the yoke to the steering assembly (N) with a hex bolts as shown in FIG. 1. Bolt location is marked with "c"; and then
- d) Connect the steering assembly stabilizer link (K) to the yoke (M) and the steering assembly (N) with a bolt. The location of the bolt is marked "d".



2. Slide the axle receivers of two wheels (see FIG. 2B) onto the wheel posts of the steering assembly (N); then secure the wheels in place with axle lock nuts (E).

3. Put together the rear wheel assembly:

- a) Slide the right and left rear link arms onto the ends of the rear axle weldment (P) as shown in Fig. 2; then
- b) Slide the axle receiver of a wheel onto each end of the axle. Be sure to orient the wheels such that the valve stems are on the outer sides of the wheels (see FIG. 2B).



4. Fasten the steering mechanism and the rear wheel assembly to the underside of the deck (G).
 - a) Align the bolt holes in the rear axle weldment (P) with the bolt holes in the formed strap (labeled "a" in FIG. 3 below); then fasten the weldment to strap a with 2 bolts, flat washers and hex nuts (identified with grey arrows in FIG. 3).
 - b) Align the bolt holes in the right and left rear link arms with the bolt holes in the formed strap labeled "b". Fasten the link arms to strap b with 4 bolts, flat washers and hex nuts (.).
 - c) Next, align the bolt holes in the steering assembly (N) with the bolt holes in strap "c" (indicated by white arrows below) and the bolt holes in the stabilizer link (K) with the holes in strap "d" (see FIG. 3C). Use

FIG. 3: Attach steering assembly and rear wheel assembly to deck

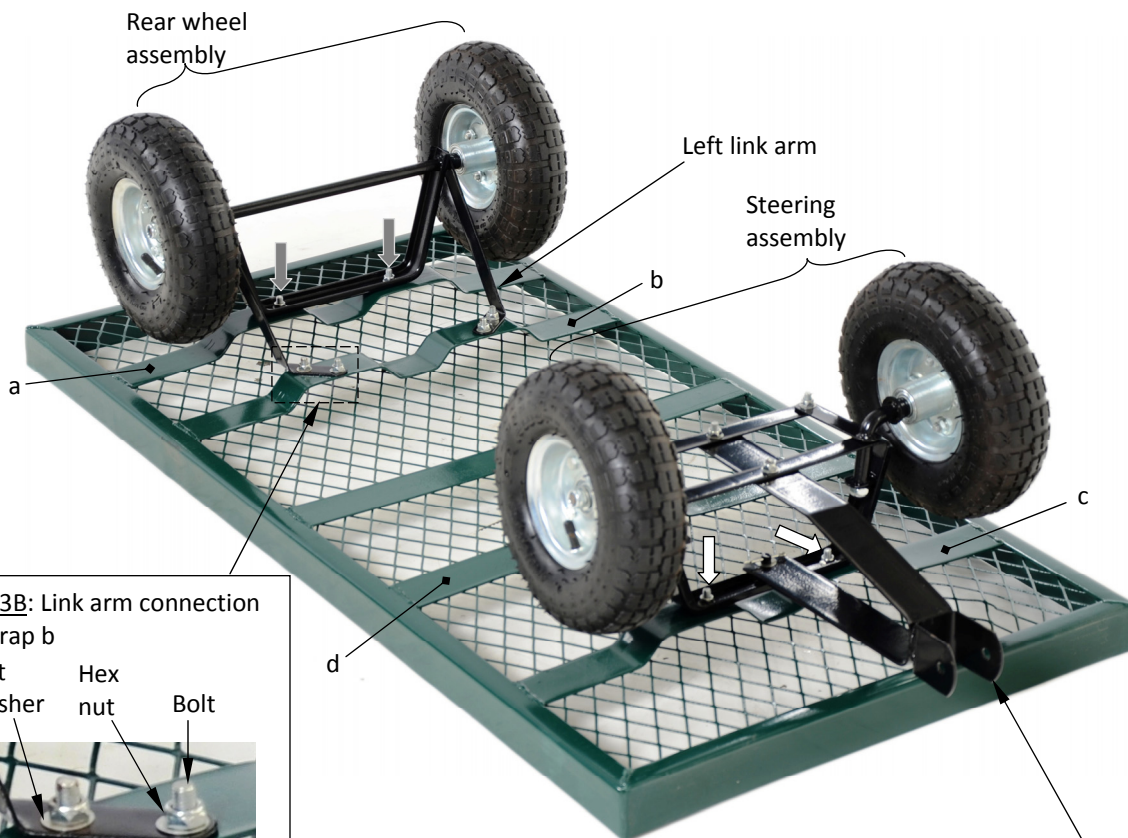


FIG. 3B: Link arm connection to strap b

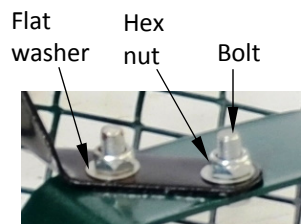
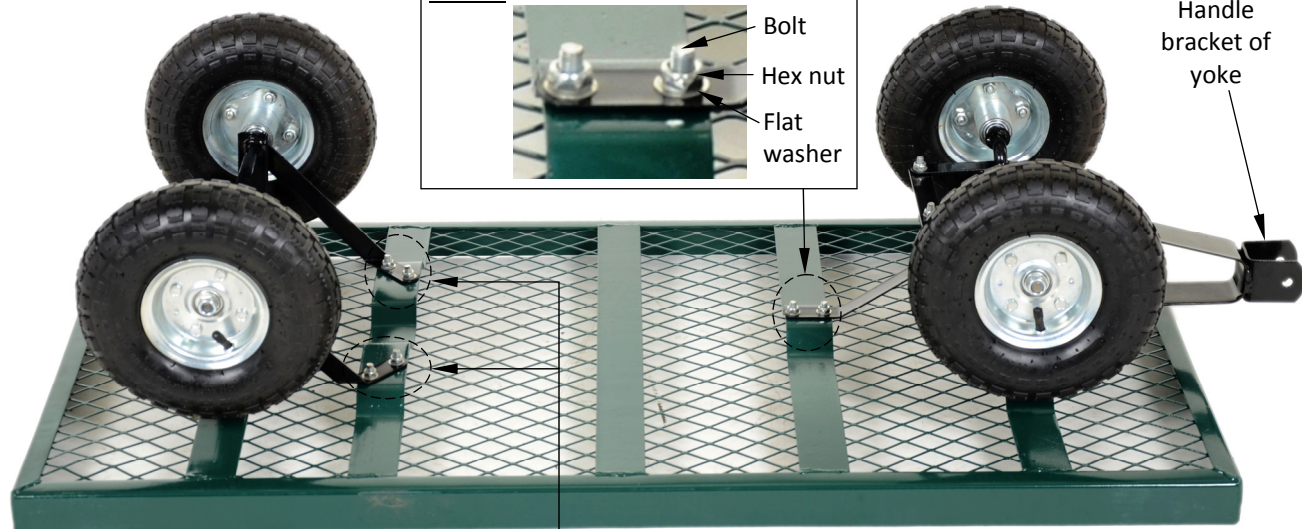
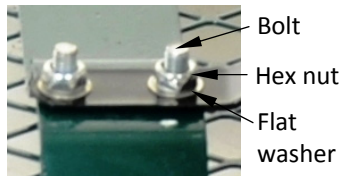


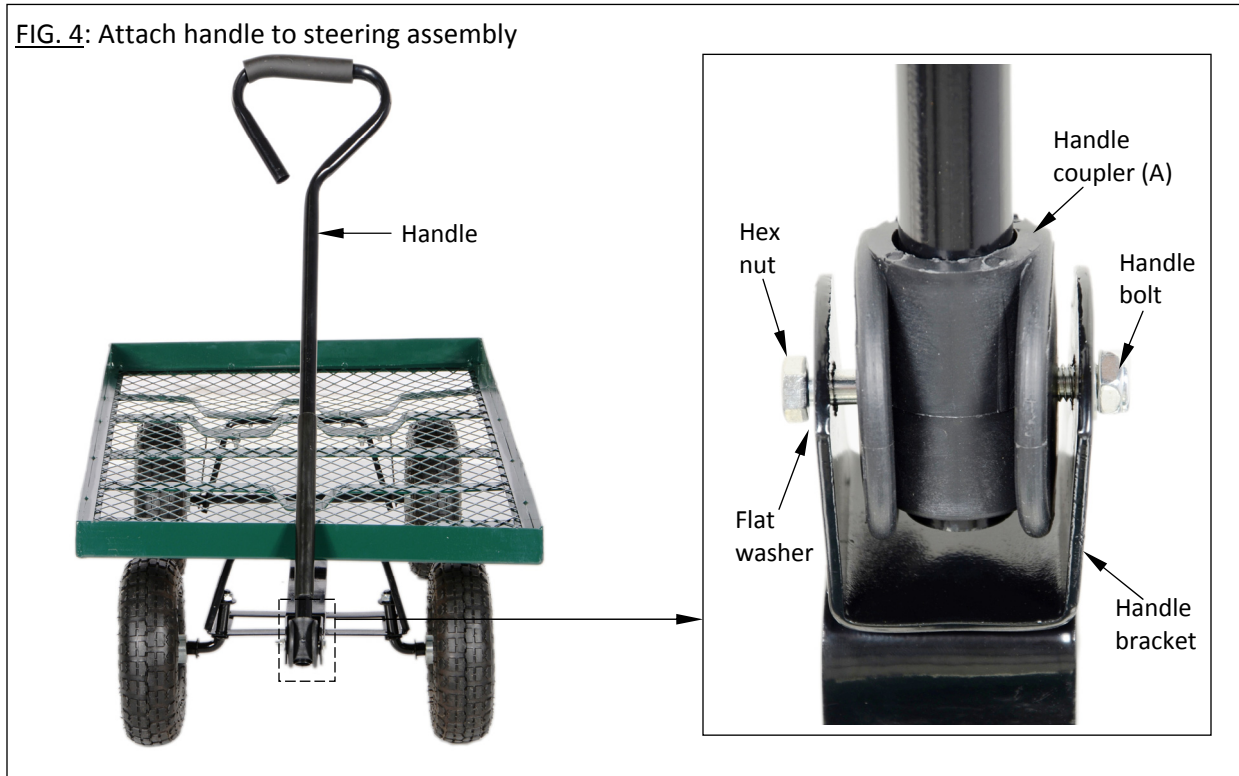
FIG. 3C: Fasten stabilizer arm to deck



Fasten left and right link arms to deck

5. Attach the handle to the steering assembly (refer to FIG. 4 below).
 - a) Slide the end of the handle into the handle coupler (A) and align the bolt holes in the handle with the bolt holes in the coupler; then
 - b) Slide the handle bolt through one side of the handle bracket of the yoke (also identified in FIG. 3 on p. 5), through the coupler and handle, and through the other side of the bracket;
 - c) Secure the handle bolt with a flat washer and hex nut.

FIG. 4: Attach handle to steering assembly



LIMITED WARRANTY

Vestil Manufacturing Corporation (“Vestil”) warrants this product to be free of defects in material and workmanship during the warranty period. Our warranty obligation is to provide a replacement for a defective original part if the part is covered by the warranty, after we receive a proper request from the warrantee (you) for warranty service.

Who may request service?

Only a warrantee may request service. *You are a warrantee if* you purchased the product from Vestil or from an authorized distributor AND Vestil has been fully paid.

What is an “original part”?

An original part is a part used to make the product as shipped to the warrantee.

What is a “proper request”?

A request for warranty service is proper if Vestil receives: 1) a photocopy of the Customer Invoice that displays the shipping date; AND 2) a written request for warranty service including your name and phone number. Send requests by any of the following methods:

Mail
Vestil Manufacturing Corporation
2999 North Wayne Street, PO Box 507
Angola, IN 46703

Fax
(260) 665-1339
Phone
(260) 665-7586

Email
sales@vestil.com

In the written request, list the parts believed to be defective and include the address where replacements should be delivered.

What is covered under the warranty?

After Vestil receives your request for warranty service, an authorized representative will contact you to determine whether your claim is covered by the warranty. Before providing warranty service, Vestil may require you to send the entire product, or just the defective part or parts, to its facility in Angola, IN. The warranty covers defects in the following *original* dynamic components: motors, hydraulic pumps, electronic controllers, switches and cylinders. It also covers defects in *original* parts that wear under normal usage conditions (“wearing parts”): bearings, hoses, wheels, seals, brushes, batteries, and the battery charger.

How long is the warranty period?

The warranty period for original components is 30 days. The warranty period begins on the date when Vestil ships the product to the warrantee. If the product was purchased from an authorized distributor, the period begins when the distributor ships the product. Vestil may extend the warranty period for products shipped from authorized distributors by *up to* 30 days to account for shipping time.

If a defective part is covered by the warranty, what will Vestil do to correct the problem?

Vestil will provide an appropriate replacement for any *covered* part. An authorized representative of Vestil will contact you to discuss your claim.

What is not covered by the warranty?

1. Labor;
2. Freight;
3. Occurrence of any of the following, which automatically voids the warranty:
 - Product misuse;
 - Negligent operation or repair;
 - Corrosion or use in corrosive environments;
 - Inadequate or improper maintenance;
 - Damage sustained during shipping;
 - Collisions or other incidental contacts causing damage to the product;
 - Unauthorized modifications: DO NOT modify the product IN ANY WAY without first receiving written authorization from Vestil. Modification(s) might make the product unsafe to use or might cause excessive and/or abnormal wear.

Do any other warranties apply to the product?

Vestil Manufacturing Corp. makes no other express warranties. All implied warranties are disclaimed to the extent allowed by law. Any implied warranty not disclaimed is limited in scope to the terms of this Limited Warranty.

