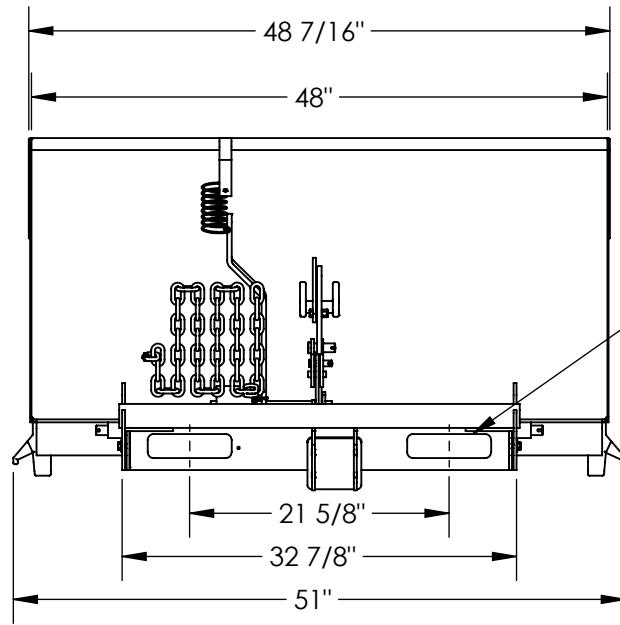


BUMP AND DUMP 90° HOPPER - H-100-LD-BD

APPROX WEIGHT: 352 lbs.
DOES NOT INCLUDE WEIGHT OF POWER OR PACKAGING!!!

*** ANY ADDITIONS, DELETIONS, OR OMISSIONS MUST BE CORRECTED ON THIS DRAWING AS THIS DRAWING WILL BE CONSIDERED ALL INCLUSIVE ***

ALL GRAPHICS PROVIDED ARE FOR REFERENCE ONLY. IF CERTAIN DIMENSIONS ARE CRITICAL PLEASE VERIFY THOSE DIMENSIONS WITH YOUR SALESPERSON



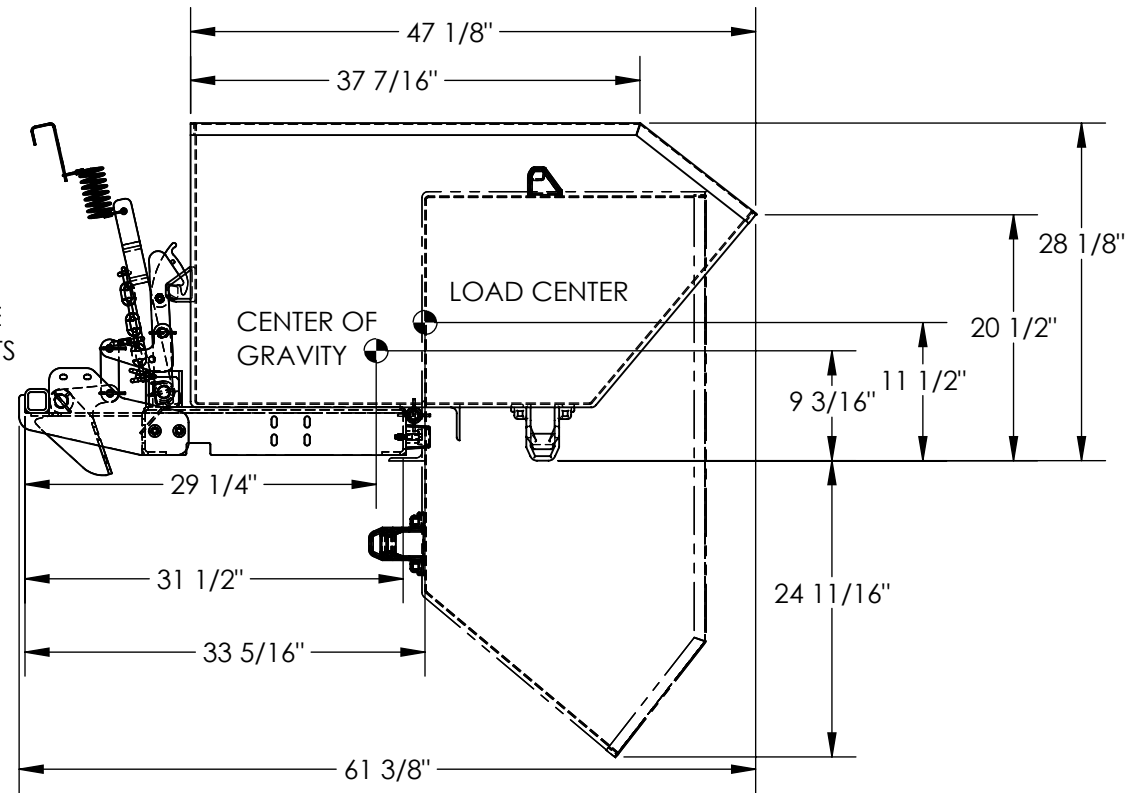
APPROX. WEIGHT / LOST LOAD = 352 LBS.
MINIMUM EFFECTIVE THICKNESS =
FORK LENGTH MINUS 31 1/2"

NEVER EXCEED LOAD CENTER
RATING PER FORKTRUCK
MANUFACTURERS GUIDELINES.
DO NOT USE THIS FORK TRUCK
ATTACHMENT IF LOAD WILL
EXCEED FORK TRUCK MANUFACTURER'S
LOAD CENTER RATING

STANDARD FEATURES

MODEL NUMBER IS H-100-LD-BD
OVERALL WIDTH IS 51"
INSIDE WIDTH IS 48"
OVERALL LENGTH IS 61 3/8"
OVERALL HEIGHT IS 28 1/8"
MAX CAPACITY IS 2,000 LBS.
VOLUME IS 1 CU. YRDS.
HOPPER IS TOUGH BAKED IN POWDER
COATED BLUE FINISH
BUMP AND DUMP MECHANISM IS
TOUGH BAKED IN POWDER COATED YELLOW FINISH

7" X 2" USABLE
FORK POCKETS



DIMENSION TOLERANCE ± 1/4"

**** ADDITION OF CASTERS MAY
CHANGE WEIGHT CAPACITY
BASED ON CASTER RATING**

SPECIAL FEATURES

NONE

APPROVAL	I, THE UNDERSIGNED, AGREE THAT THE PRODUCT AS REPRESENTED SATISFIES DESIGN AND DIMENSION REQUIREMENTS. I ALSO ACKNOWLEDGE MY DUTY TO CONFIRM PRODUCT AND INSTALLATION COMPLIANCE WITH ALL APPLICABLE FEDERAL, STATE AND LOCAL REGULATIONS AND STANDARDS.	
	UNITS REQUIRING APPROVAL DRAWINGS OR MODIFIED ARE NON-RETURNABLE	
	[] As drawn [] As marked	
	Signed: _____	Date: _____
Printed Name: _____		
LEAD TIME WILL START UPON RECEIPT OF SIGNED APPROVAL DRAWING		

DISTRIBUTOR'S NAME:		P.O.#	X
		W.O.#	X
DRAWN BY:	DATE:	SALES:	X
	2/3/2022		
REFERENCE: X	SCALE: 1:16	FILE NAME:	
QUOTED LEAD TIME: X	QUOTE #		37-007-183
	X		