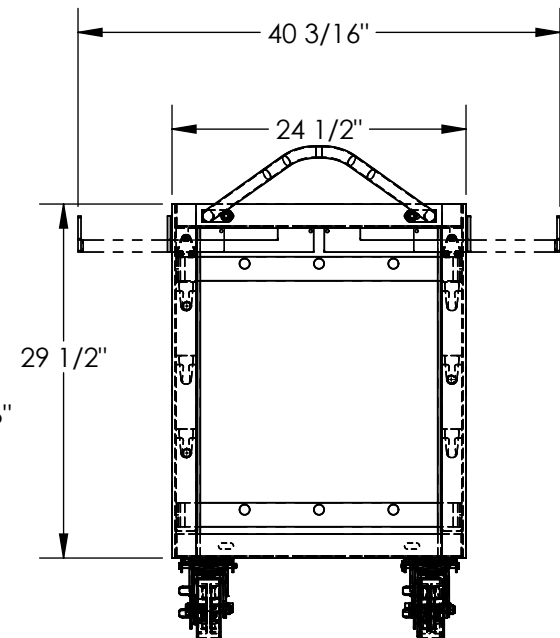
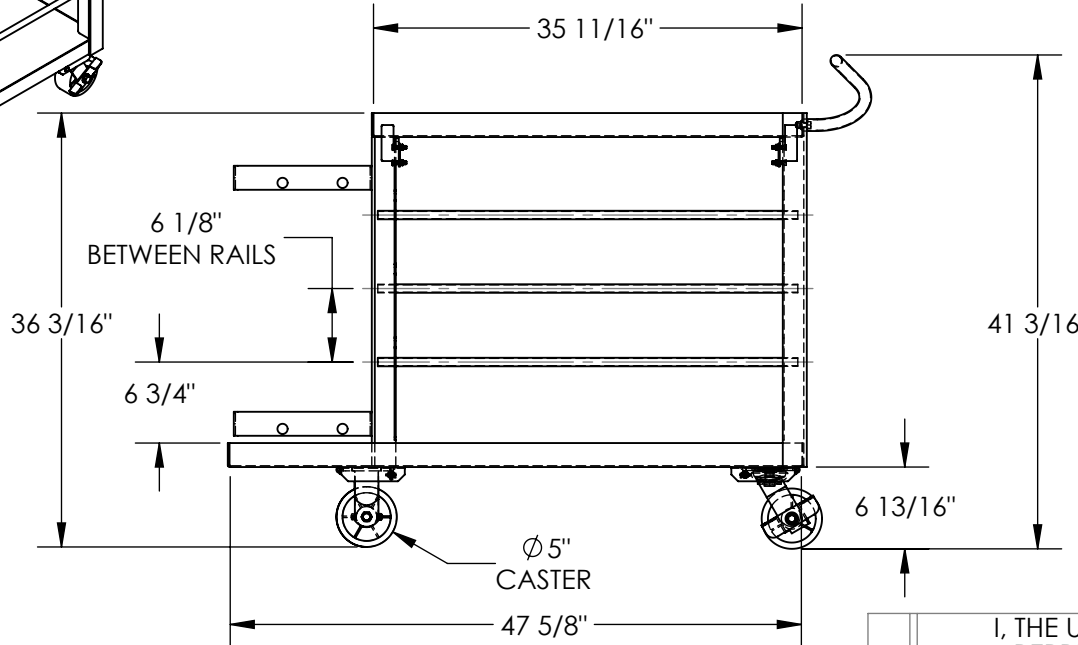
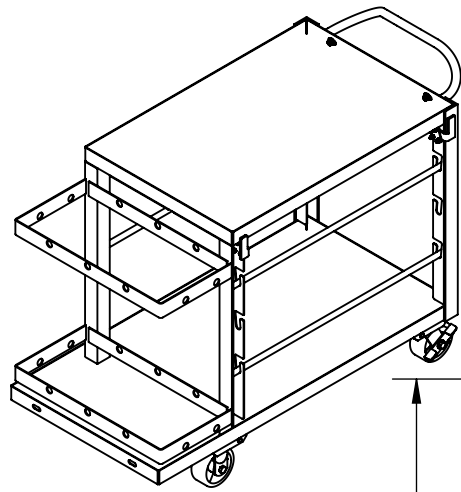


ELECTRICIANS WIRE CART - ELEC-2448-2

APPROX WEIGHT: 170.20 lbs.
 DOES NOT INCLUDE WEIGHT OF POWER OR PACKAGING!!!

*** ANY ADDITIONS, DELETIONS, OR OMISSIONS MUST BE CORRECTED ON THIS DRAWING AS THIS DRAWING WILL BE CONSIDERED ALL INCLUSIVE ***

ALL GRAPHICS PROVIDED ARE FOR REFERENCE ONLY. IF CERTAIN DIMENSIONS ARE CRITICAL PLEASE VERIFY THOSE DIMENSIONS WITH YOUR SALESPERSON



DIMENSION TOLERANCE ± 1/4"

STANDARD FEATURES

- MODEL NUMBER IS ELEC-2448-2
- OVERALL WIDTH COLLAPSED 24 1/2"
- OVERALL WIDTH EXTENDED 40 3/16"
- USABLE WIDTH COLLAPSED 24 1/2"
- USABLE WIDTH EXTENDED 40 3/16"
- OVERALL LENGTH IS 47 5/8"
- OVERALL HEIGHT IS 41 3/16"
- USABLE HEIGHT IS 36 3/16"
- MAX CAPACITY IS 1,000 LBS
- CASTER 5"X2" POLY-ON-STEEL (2) RIGID (2) SWIVEL WITH BRAKES
- BAKED-IN TOUGH BLUE POWDER COAT

APPROVAL

I, THE UNDERSIGNED, AGREE THAT THE PRODUCT AS REPRESENTED SATISFIES DESIGN AND DIMENSION REQUIREMENTS. I ALSO ACKNOWLEDGE MY DUTY TO CONFIRM PRODUCT AND INSTALLATION COMPLIANCE WITH ALL APPLICABLE FEDERAL, STATE AND LOCAL REGULATIONS AND STANDARDS.

ANY MODIFIED UNITS ARE NON-RETURNABLE

[] As drawn [] As marked

Signed: _____ Date: _____

Printed Name: _____

LEAD TIME WILL START UPON RECEIPT OF SIGNED APPROVAL DRAWING

FOR INTERNAL USE ONLY PROJECT SIGN OFF	
SALES	
ENG.	
FAB.	
POWER	

DISTRIBUTOR'S NAME:		P.O.#
VESTIL MANUFACTURING		X
DRAWN BY: TAL		W.O.#
DATE: 08/08/15		X
REFERENCE: X	SCALE: 1:16	SALES: X
QUOTED LEAD TIME: X	QUOTE #	FILE NAME:
	X	33-007-272