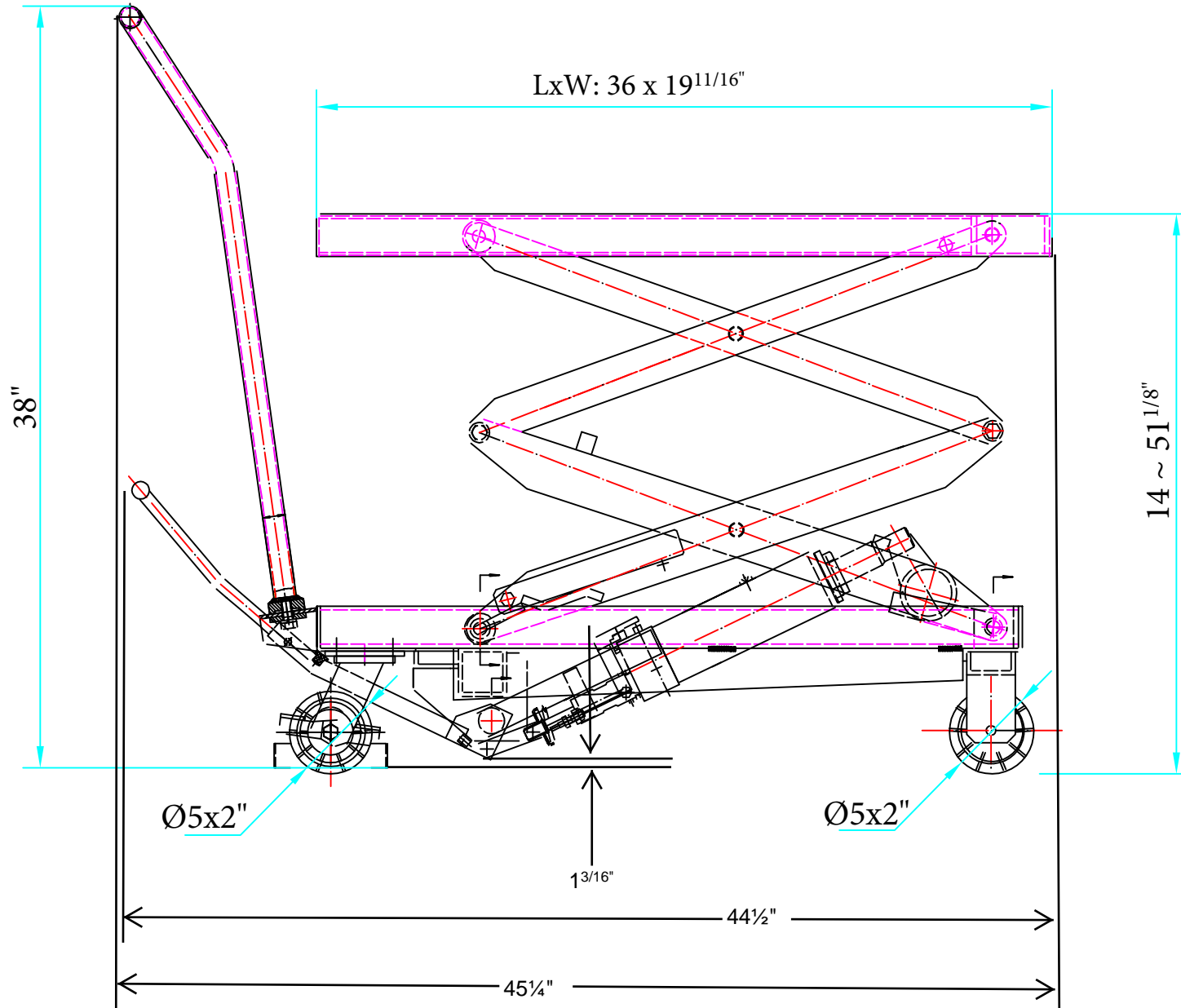


CART-600-D-SS2 (DOUBLE SCISSOR STAINLESS STEEL SCISSOR CART)



Specifications
 Model: CART-600-D-SS2
 Capacity: 600 lbs (250 kgs)
 Platform Size: 36x19^{11/16}"
 Lowered Height: 14"
 Raised Height: 51^{1/8}"
 Pumps without Load: 31
 Pumps with Load: 38
 Handle Height: 38³
 Handle Fixed
 Wheel: (2) Ø5x2"

VESTIL MANUFACTURING CORP.

Model #: CART-600-D-SS2

Descrip: Stainless Steel SCissor Cart

Design: T.M

Date: 04/01/20