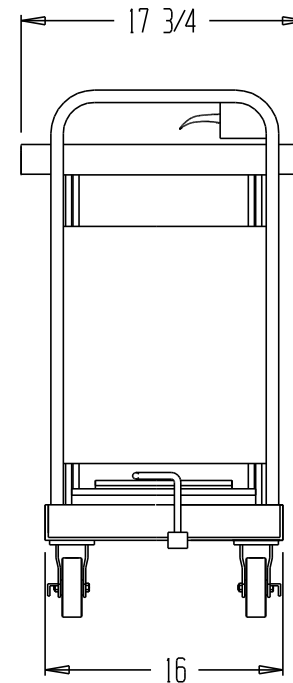
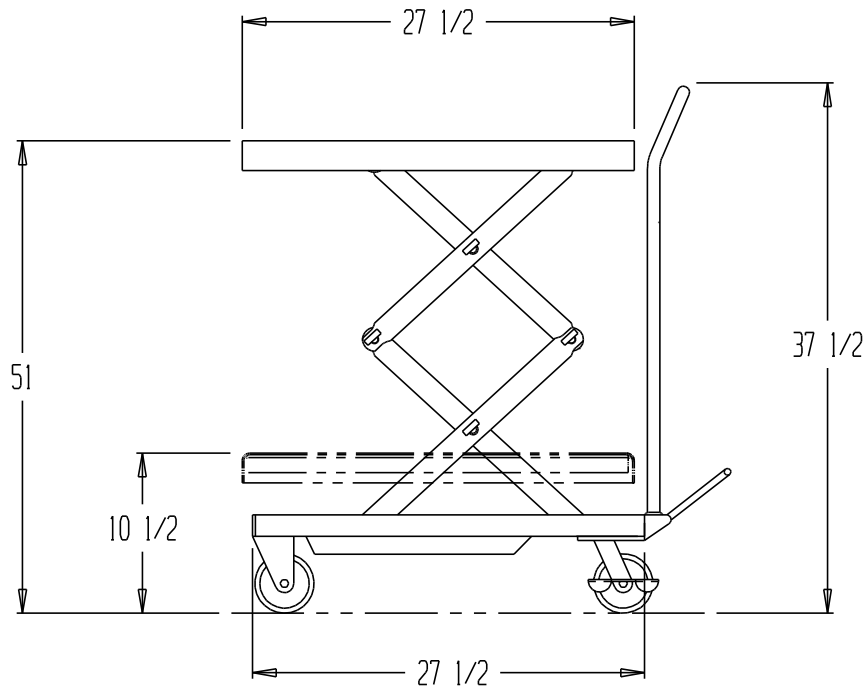


STAINLESS STEEL HYDRAULIC ELEVATING CART, CART-200-D-PSS



STANDARD FEATURES

MODEL NUMBER: CART-200-D-PSS
 CAPACITY: 220 LBS.
 PLATFORM: 17 3/4" x 27 1/2"
 PLATFORM RAISED HEIGHT: 51"
 PLATFORM LOWERED HEIGHT: 10 1/2"
 STANDARD SINGLE SPEED FOOT PUMP
 RAISES APPROX. 3" PER PUMP (NOT LOADED)
 PLATFORM, FRAME, HANDLE, CASTER RIGS AND
 HARDWARE ARE STAINLESS STEEL
 SCISSOR LEGS, PUMP ASSEMBLY AND HYDRAULIC
 CYLINDERS ARE ZINC PLATED

SPECIAL FEATURES

NONE

PRODUCTION WILL START UPON
 RECEIPT OF SIGNED APPROVAL
 DRAWING

**SPECIAL UNITS ARE NON-RETURNABLE
 *AVAILABLE AT ADDITIONAL COSTS

All graphics provided are for reference only.
 If certain dimensions are critical please
 verify those dimensions with your salesperson

FOR INTERNAL USE ONLY		APPROVAL SALES ENG FAB. POWER	I, THE UNDERSIGNED, AGREE THAT THE PRODUCT AS REPRESENTED SATISFIES DESIGN & DIMENSION REQUIREMENTS. I ALSO ACKNOWLEDGE MY DUTY TO CONFIRM PRODUCT & INSTALLATION COMPLIANCE WITH ALL APPLICABLE FEDERAL, STATE AND LOCAL REGULATIONS & STANDARDS. ANY MODIFIED UNITS ARE NON-RETURNABLE () As drawn () As marked Signed: _____ Date: _____ Printed Name: _____ LEAD TIME WILL START UPON RECEIPT OF SIGNED APPROVAL DRAWING
PROJECT SIGN OFF			
SALES			
ENG			
FAB.			
POWER			
DISTRIBUTOR'S NAME:		P.O.#: -	
		W.O.#: -	
DRAWN BY: -	DATE: -	SALES: -	
REFERENCE: -	SCALE: -	DRWG./FILE NAME:	
QUOTED LEADTIME: -	QUOTE #: -	CART-200-D-PSS	