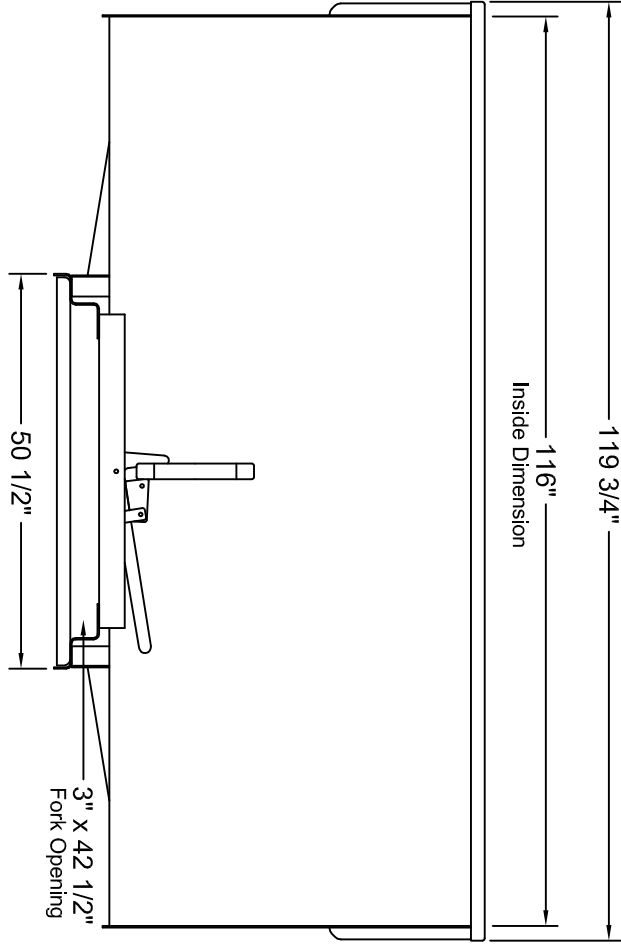
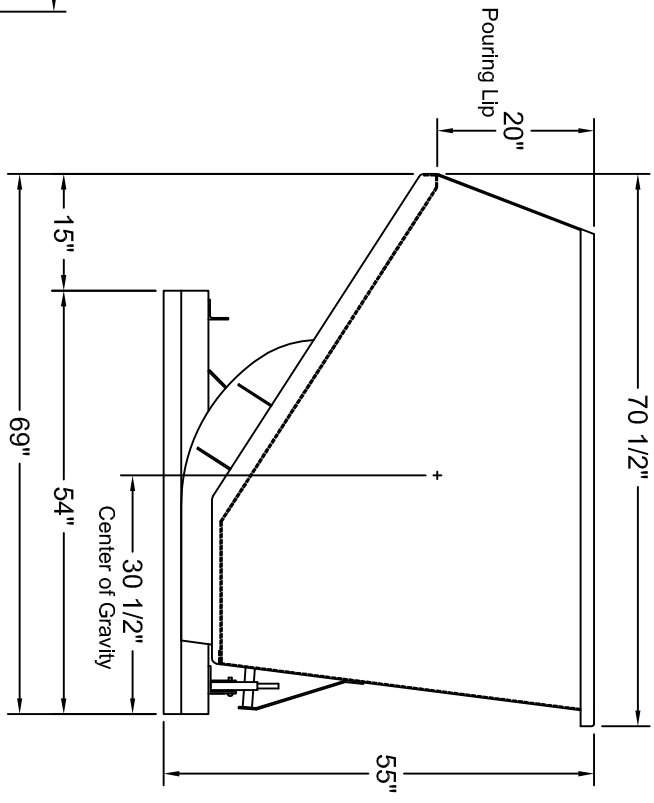
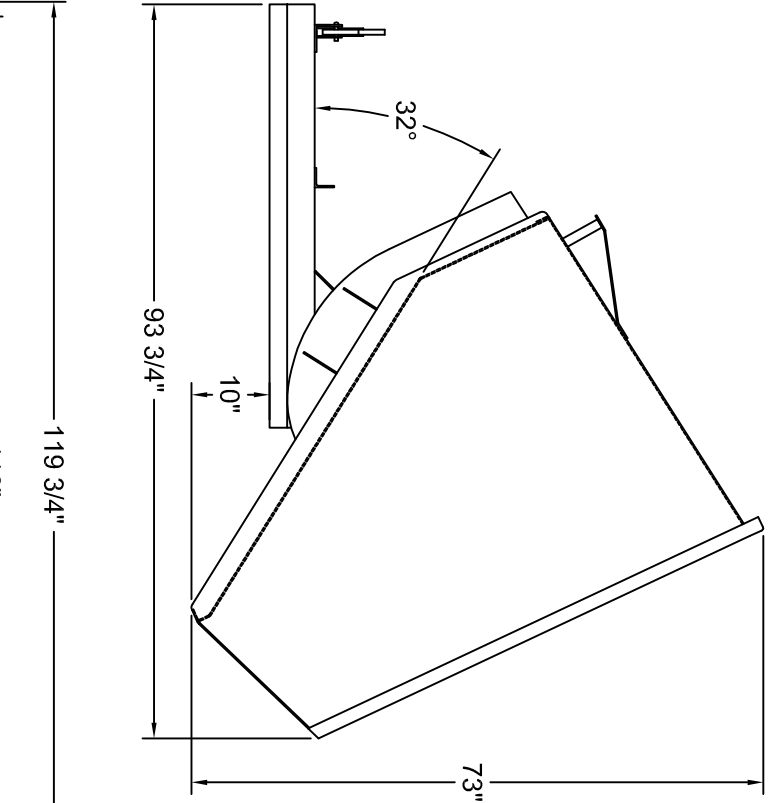


REVISIONS				
ZONE	REV	DESCRIPTION	DATE	APPROVED



3" x 42 1/2"
Fork Opening

Note: All dimensions are approximate some dimensions may vary slightly per hopper



McCullough Ind., Inc.

6 yd Hopper Basic Dimensions

UNLESS OTHERWISE SPECIFIED: DIMENSIONS ARE IN INCHES DECIMALS ± .050 ANGULAR ± 0.5 DO NOT SCALE DRAWING		DATE
DRAWN		
CHECKED		
DESIGN		
SIZE	FSCM NO.	DWG NO.
B		60099
SCALE	None	SHEET 1 OF 1
REV		