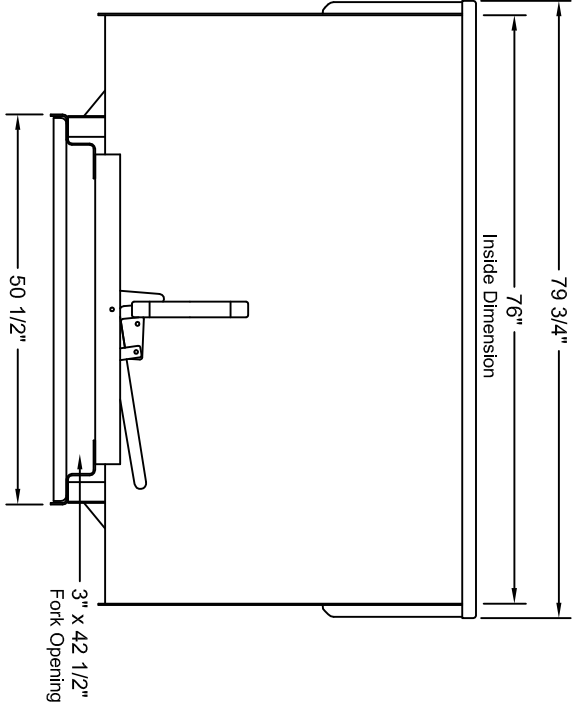
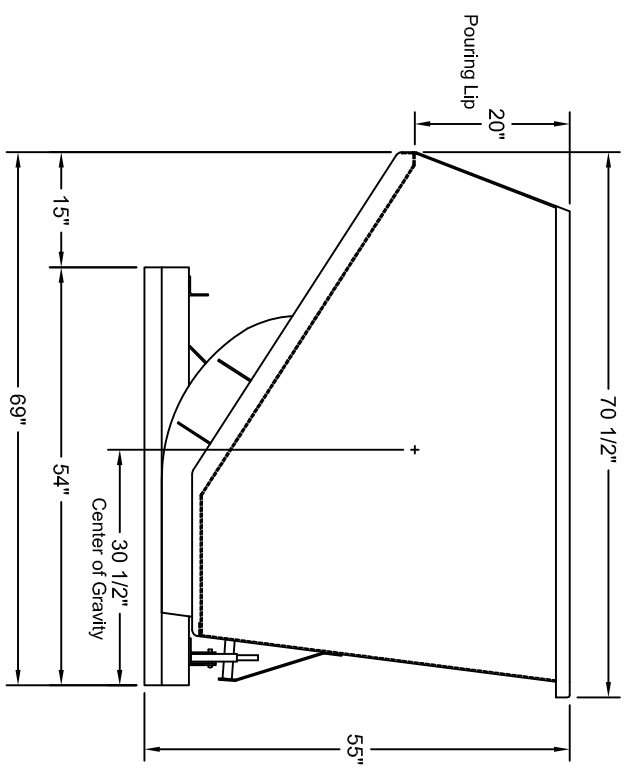
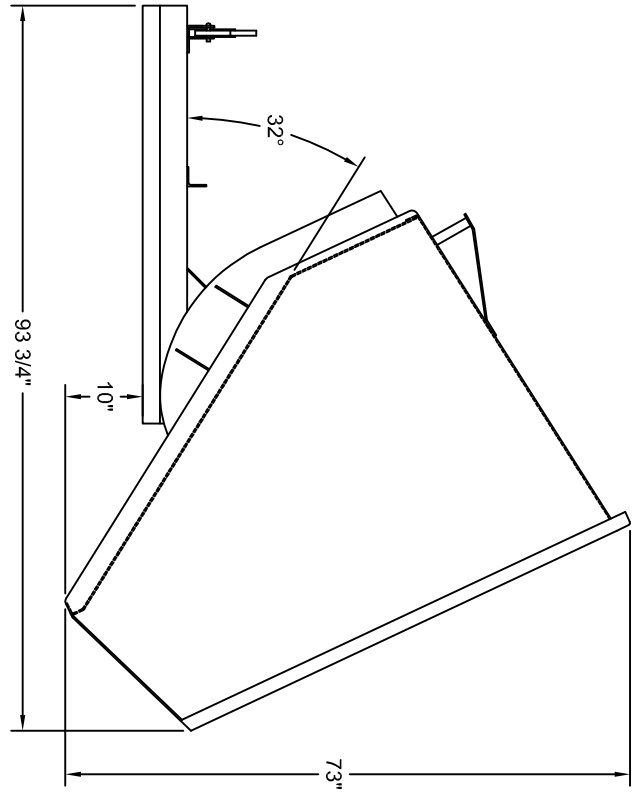


REVISIONS				
ZONE	REV	DESCRIPTION	DATE	APPROVED



Note: All dimensions are approximate some dimensions may vary slightly per hopper



McCullough Ind., Inc.

4 yd Hopper Basic Dimensions

UNLESS OTHERWISE SPECIFIED: DIMENSIONS ARE IN INCHES DECIMALS ± .05 ANGULAR ± 0.5 DO NOT SCALE DRAWING		DATE	
DRAWN			
CHECKED		SIZE B	FSQM NO.
DESIGN		SCALE None	DWG NO. 40099
			SHEET 1 OF 1