



15F3166

B757 Towbar

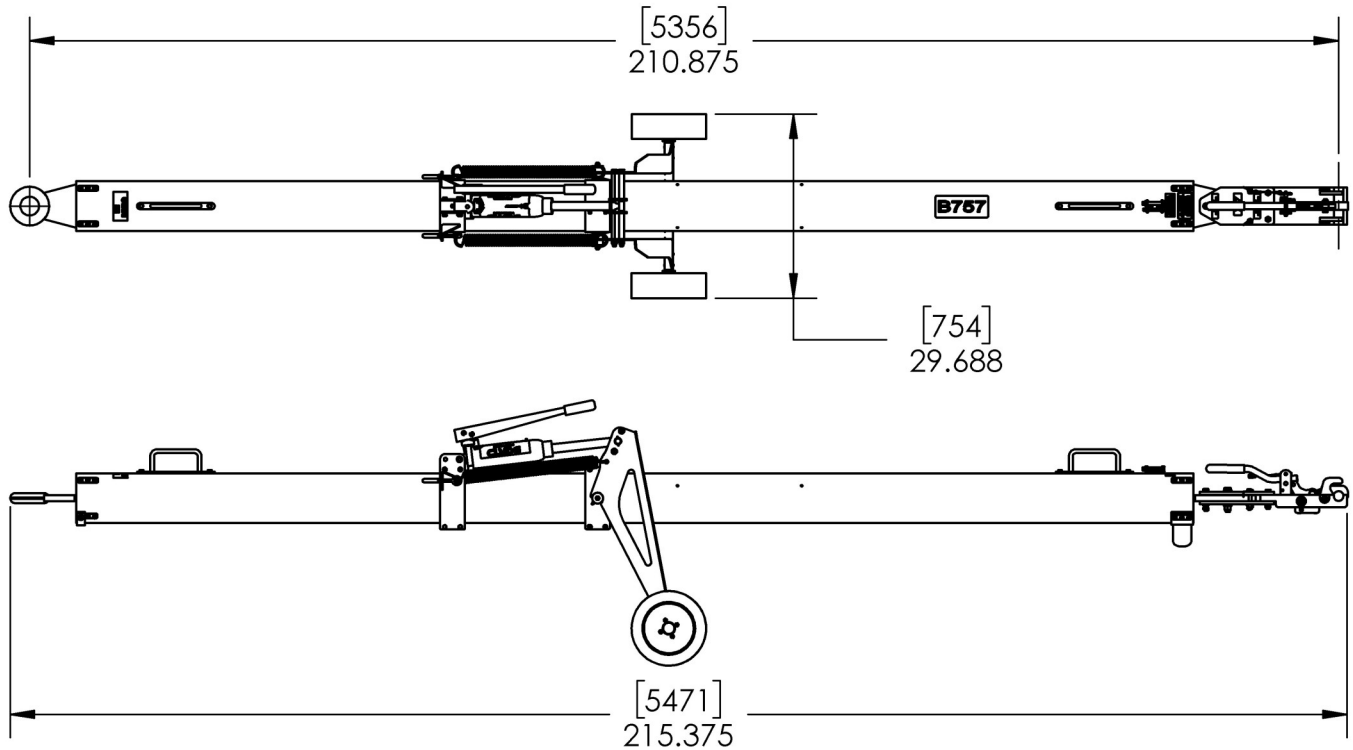


Building Quality Ground Support Products Since 1961

- 8" x 15' high strength aluminum tube
- Fully retractable hydraulic running gear for adjustable height
- Safety lock system to avoid separation from aircraft
- Durable powder coat paint
- Quality shear bolts for aircraft protection
- Extra set of shear bolts included
- Solid tires
- Options:
 - Foam filled tires
 - Pneumatic tires
 - Cushioned lunette assembly
 - Spliced tube for easy transport

15F3166

B757 Towbar



Shipping Information

- Shipping Dimensions:
 - Weight — 350 lbs.
 - Length — 216"
 - Width — 30"
 - Height — 25"
- Crated Dimensions:
 - Weight — 770 lbs.
 - Length — 217"
 - Width — 26"
 - Height — 28"