



15F3141

Tire Service Cart

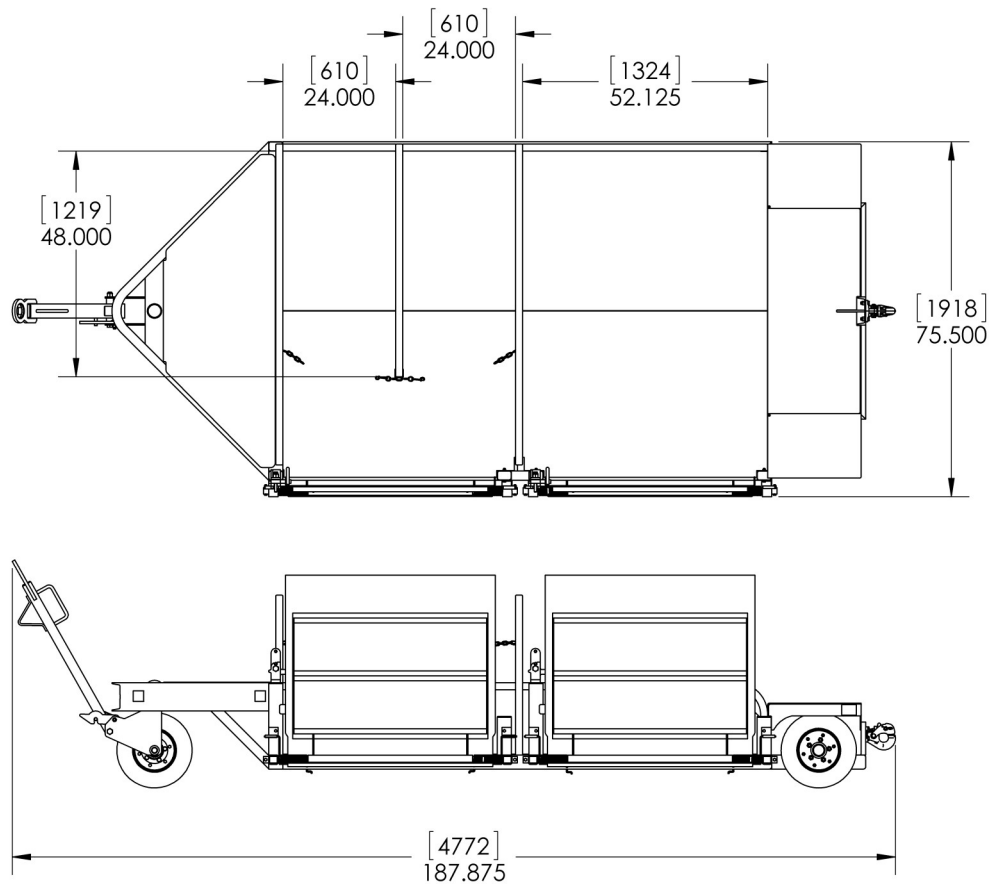


Building Quality Ground Support Products Since 1961

- Diamond plate walk surfaces
- Optional extra divider rail
- Towbar actuated parking brake
- Spring assisted ramp doors
- 4.00 x 8, 3 stage solid tires on 7 ga. rims
- Rear pintle hitch
- Durable powder coat finish

15F3141

Tire Service Cart



Shipping Information

- Dimensions:
 - Weight - 1880 lbs.
 - Length - 188"
 - Width - 76"
 - Height - 49"