



15F2959

Baggage Cart

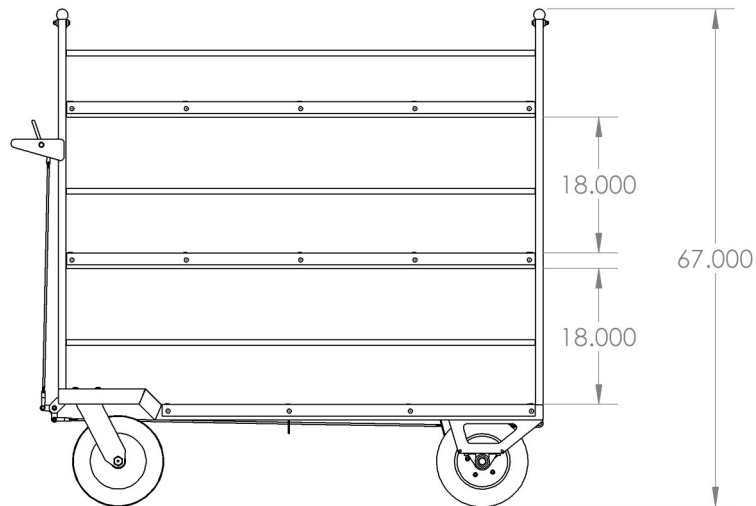
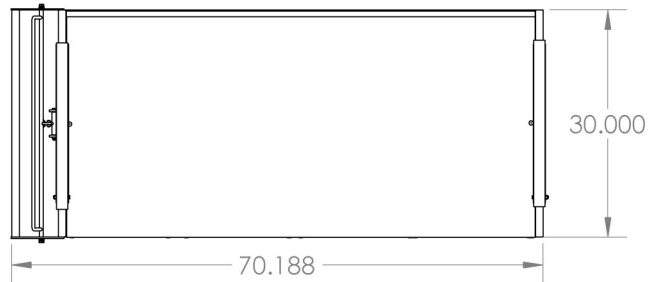


Building Quality Ground Support Products Since 1961

- 900 lb. capacity
- Automatic spring loaded brake
- Left or Right hand opening
- Rigid rear solid tires with swivel front foam filled tires
- Galvanized shelves
- Durable power coat finish

15F2959

Baggage Cart



Shipping Information

- Shipping Dimensions:
 - Weight - 350 lbs.
 - Length - 71"
 - Width - 30"
 - Height - 67"