



15F2955

Mobility Chair Lift

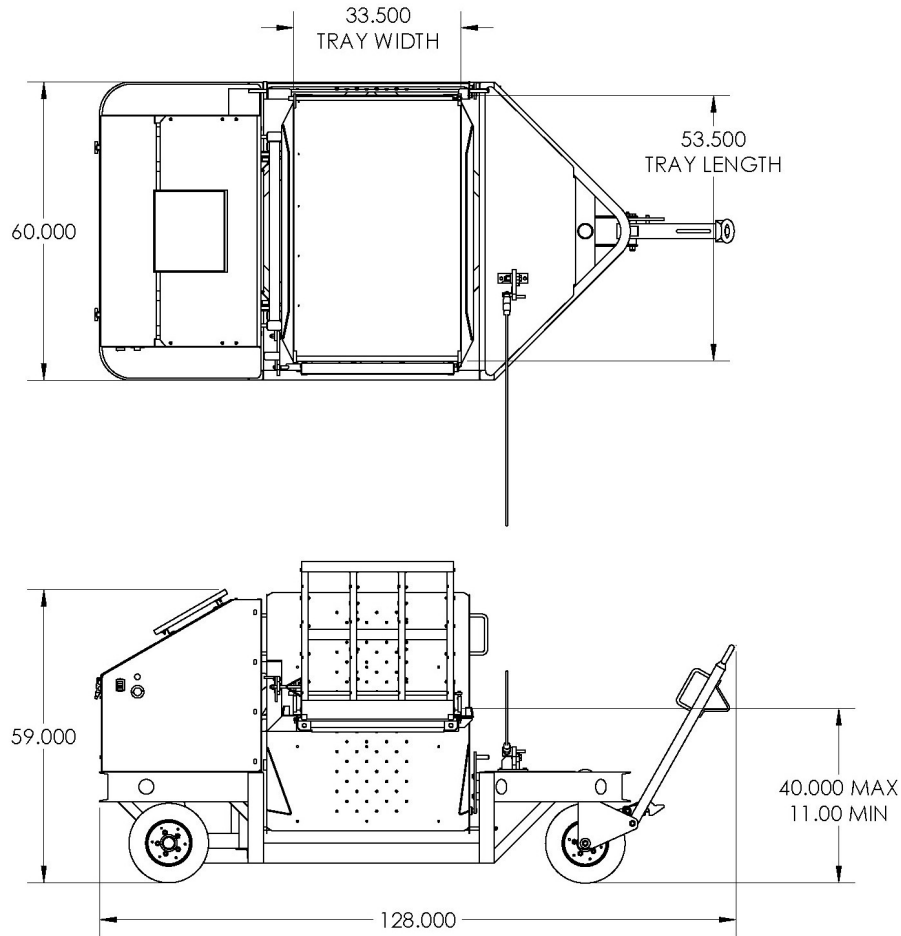


Building Quality Ground Support Products Since 1961

- The Mobility Chair Lift is designed to lift mobility chairs from ground level to belt loader height
- 12 volt Electric over Hydraulic lifting mechanism - with on board battery charger and solar panel
- 29" of travel— 40" max height
- Unit Capacity — 700 lbs.
- Towbar actuated adjustable brake
- Epoxy Powder Coat
- Solid 400x8 Tires

15F2955

Mobility Chair Lift



Shipping Information

- Dimensions:
 - Weight—1650 lbs.
 - Length—128"
 - Height—59"
 - Width—60"