



15F2930

# B737 (600-900 & Max) Towbar

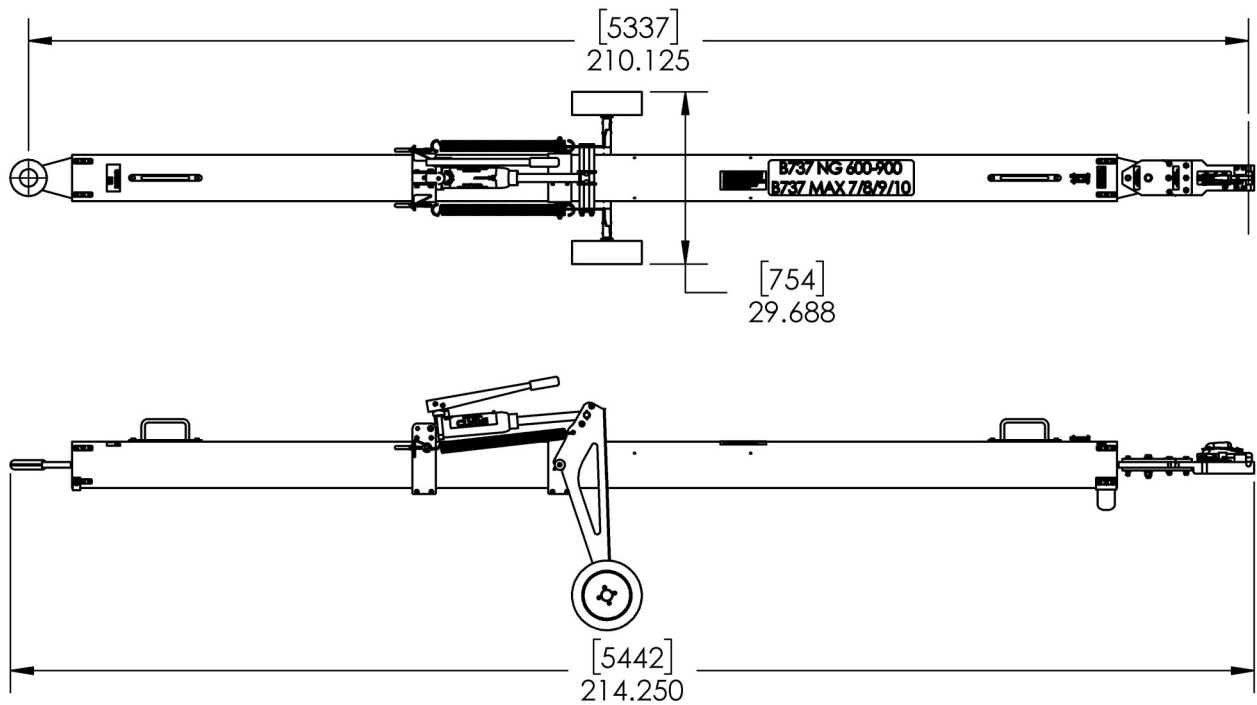


Building Quality Ground Support Products Since 1961

- 8" x 15' high strength aluminum tube
- Fully retractable hydraulic running gear for adjustable height
- Safety lock system to avoid separation from aircraft
- Durable powder coat paint
- Quality shear bolts for aircraft protection
- Extra set of shear bolts included
- Solid tires
- Options:
  - Foam filled tires
  - Pneumatic tires
  - Cushioned lunette assembly
  - Spliced tube for easy transport

# 15F2930

## B737 (600-900 & Max) Towbar



### Shipping Information

- Shipping Dimensions:
  - Weight — 350 lbs.
  - Length — 215"
  - Width — 30"
  - Height — 25"
- Crated Dimensions:
  - Weight — 770 lbs.
  - Length — 217"
  - Width — 26"
  - Height — 28"