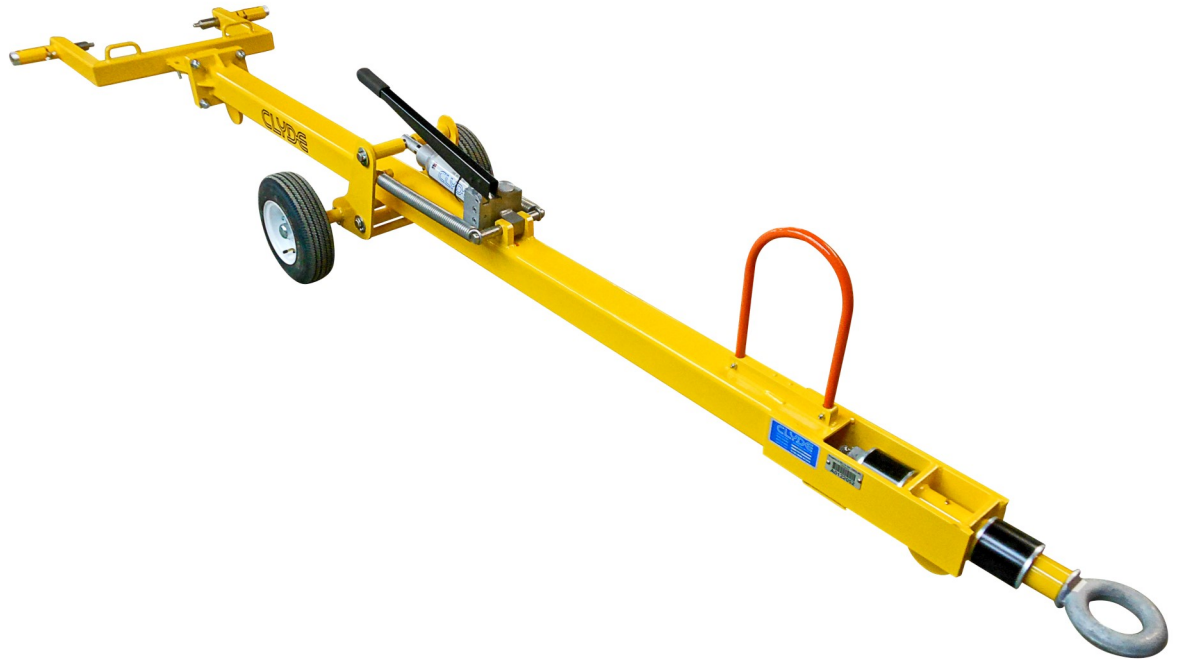




15F2929

CRJ 100/200/440/700/705/900 Towbar

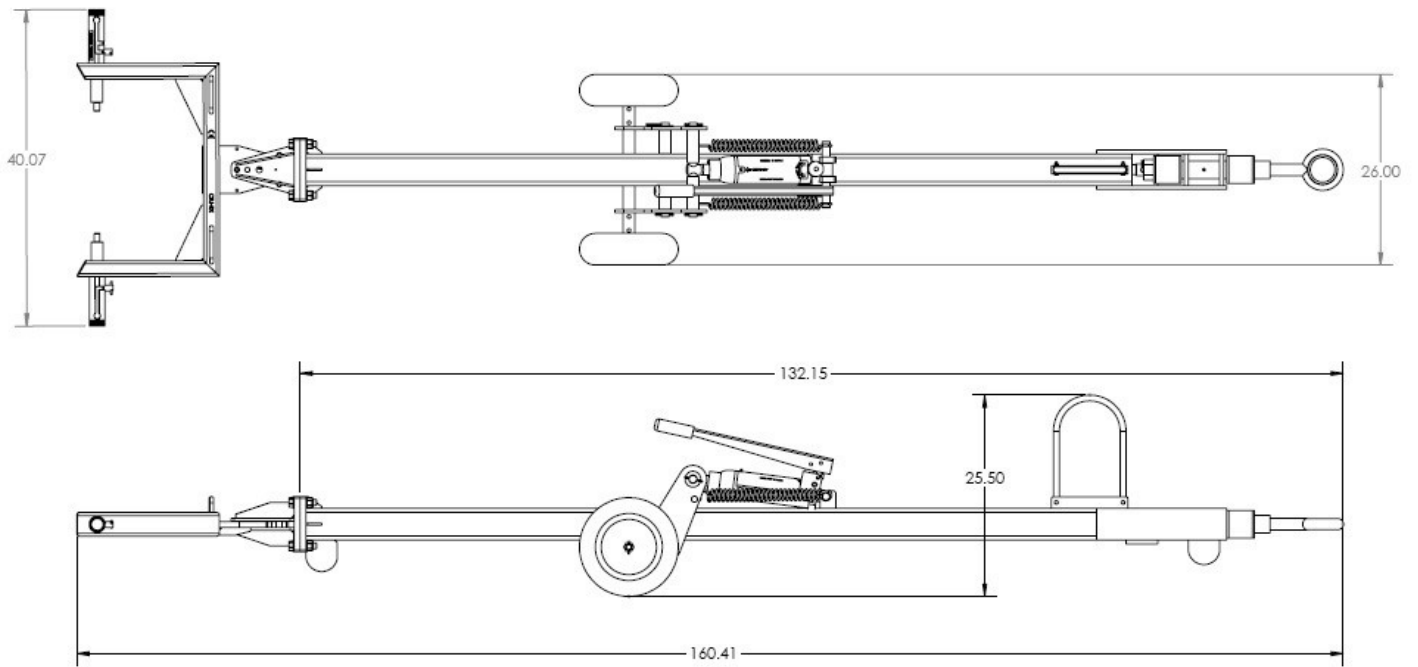


Building Quality Ground Support Products Since 1961

- Also fits Challenger 850/870/890 and Raytheon Hawker 4000
- Main frame constructed of structural tubing
- 4" cushioned swivel lunette towing eye
- Fully retractable hydraulic undercarriage for adjustable height
- Towbar is shear bolt designed to protect aircraft nosegear
- Skid plate behind towing eye keeps towing eye from striking ground
- Safety lock system to avoid separation from aircraft
- Solid tires
- Durable powder coat finish

15F2929

CRJ 100/200/440/700/705/900 Towbar



Shipping Information

- Shipping Dimensions:
 - Weight — 308 lbs.
 - Length — 161"
 - Width — 41"
 - Height — 23"