



15F2842

# B777 Towbar

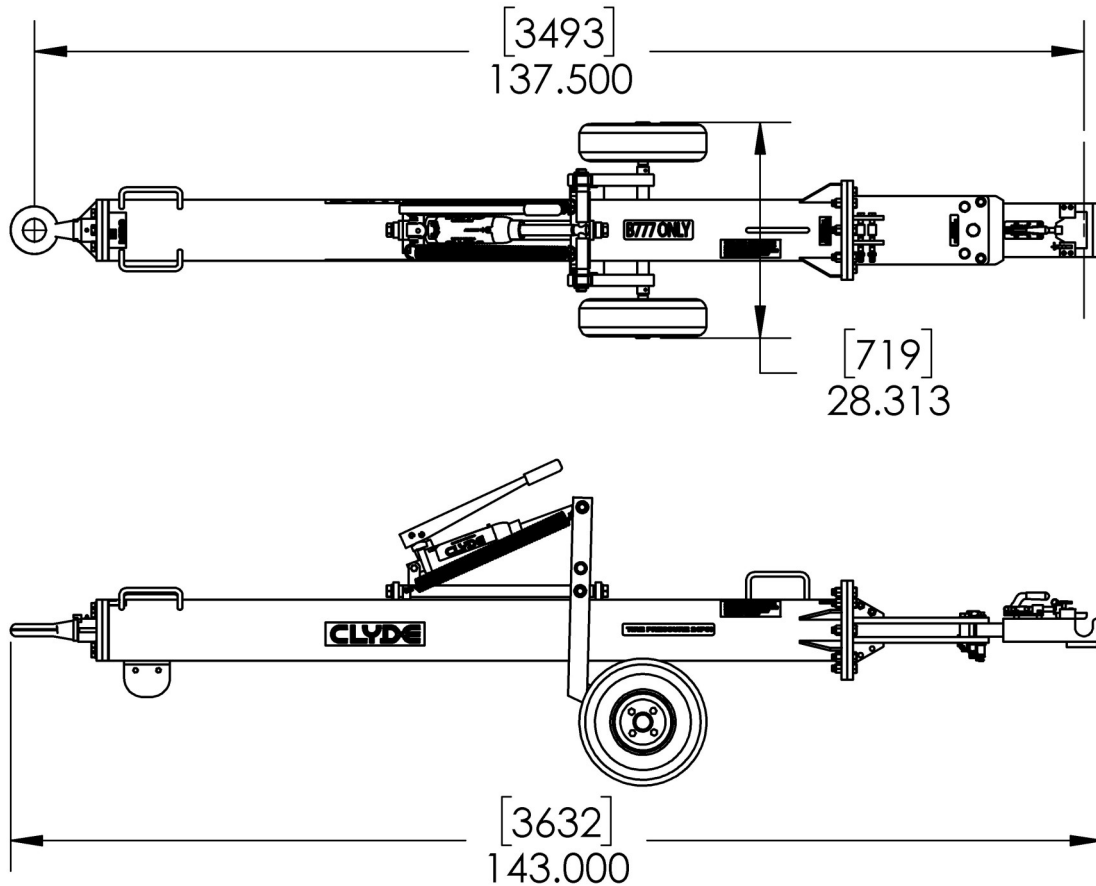


Building Quality Ground Support Products Since 1961

- 8" OD x 8' High strength steel tube
- Fully retractable hydraulic running gear for adjustable height
- Safety lock system to avoid separation from aircraft
- Durable powder coat paint
- Quality shear bolts for aircraft protection
- Extra set of shear bolts included
- Pneumatic tires
  
- Options:
  - Solid tires
  - Cushioned lunette assembly

**15F2842**

# B777 Towbar



## Shipping Information

- Shipping Dimensions:
  - Weight — 630 lbs.
  - Length — 143"
  - Width — 29"
  - Height — 25"
- Crated Dimensions:
  - Weight — 980 lbs.
  - Length — 152"
  - Width — 26"
  - Height — 36"