



**15F2511**

## **B-717 / MD80-88-90 / DC9 Towbar**

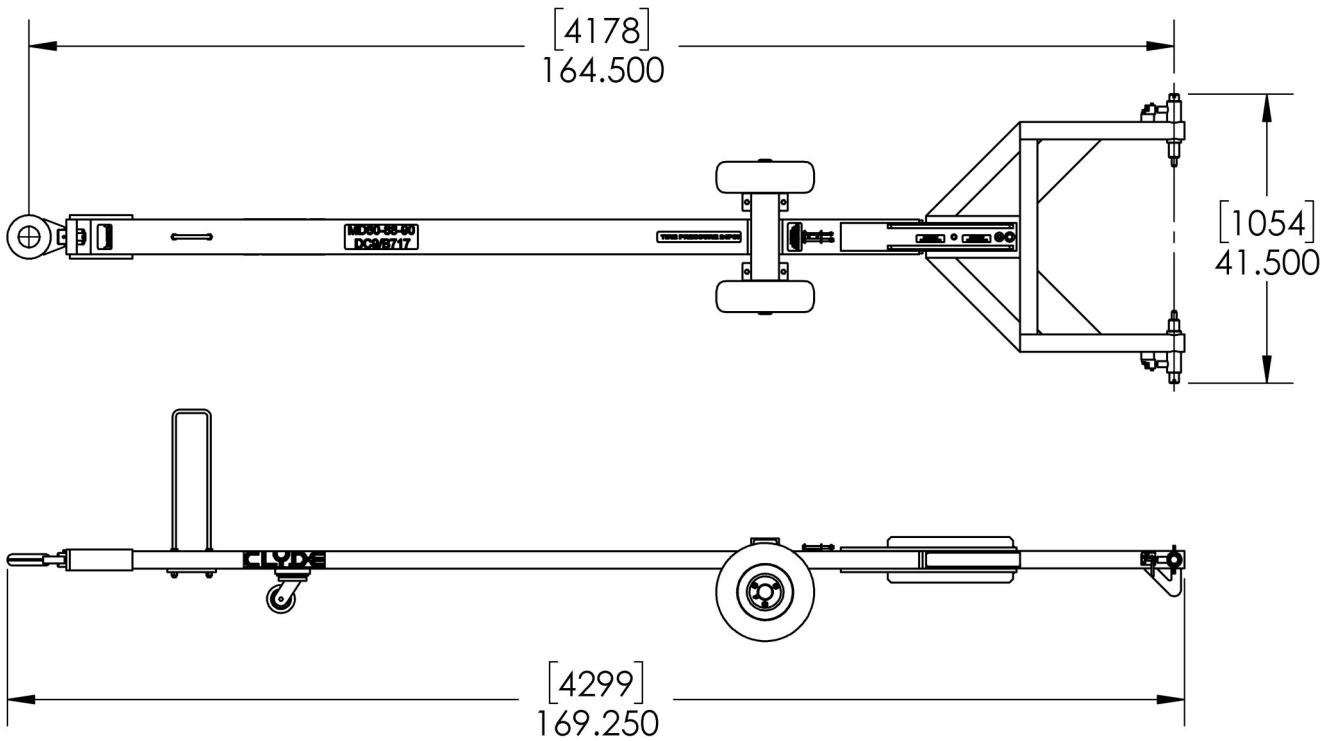


**Building Quality Ground Support Products Since 1961**

- Main frame constructed of structural tube
- Safety lock system to avoid separation from aircraft
- 4" swivel lunette towing eye
- Small castor behind towing eye keeps towing eye from striking ground
- Durable powder coat finish
- Quality shear bolts for aircraft protection
- Extra set of shear bolts included
- Solid tires
- Optional pneumatic tires

# 15F2511

## B-717 / MD80-88-90 / DC9 Towbar



### Shipping Information

- Shipping Dimensions:
  - Weight — 300 lbs.
  - Length — 170"
  - Width — 42"
  - Height — 18"
- Crated Dimensions:
  - Weight — 700 lbs.
  - Length — 175"
  - Width — 45.5"
  - Height — 23"