



15F2397

# Wide Body Towbar

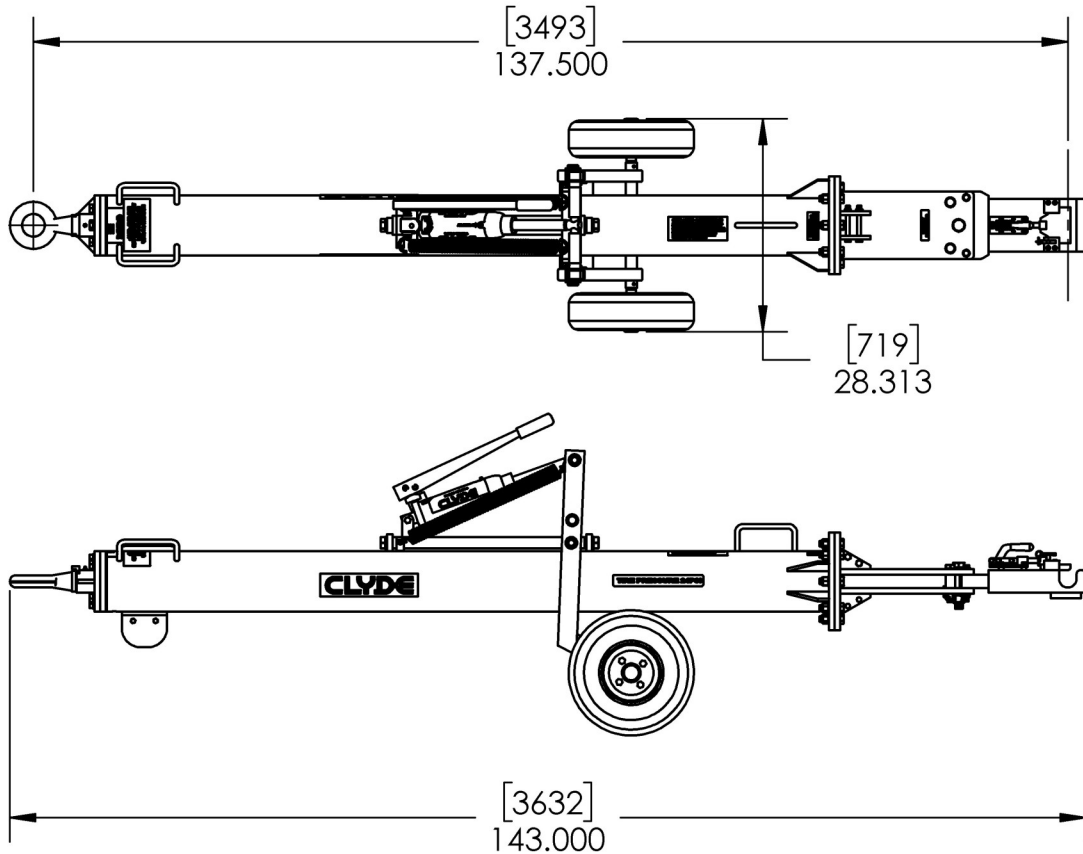


## Building Quality Ground Support Products Since 1961

- 8" OD x 8' High strength steel tube
- Fully retractable hydraulic running gear for adjustable height
- Safety lock system to avoid separation from aircraft
- Durable powder coat paint
- Quality shear bolts for aircraft protection
- Extra set of shear bolts included
- Pneumatic tires
- Options:
  - Solid tires
  - Cushioned lunette assembly
- Model Fits:
  - DC10
  - B767
  - L1011
  - A340 200/300
  - MD11
  - A330
  - A350
  - B777\*
  - B787\*

# 15F2397

## Wide Body Towbar



### Shipping Information

- Shipping Dimensions:
  - Weight — 650 lbs.
  - Length — 143”
  - Width — 29”
  - Height — 25”
- Crated Dimensions:
  - Weight — 980 lbs.
  - Length — 152”
  - Width — 26”
  - Height — 36”

\* “For use as dedicated B777/B787 towbar a shear pin, part #1504708, is offered. This heavier shear pin is not for use on other applicable aircraft models.”

\*\* “Some pushback tractors may require a longer towbar to clear aircraft nose. Model 15F3045 is offered”