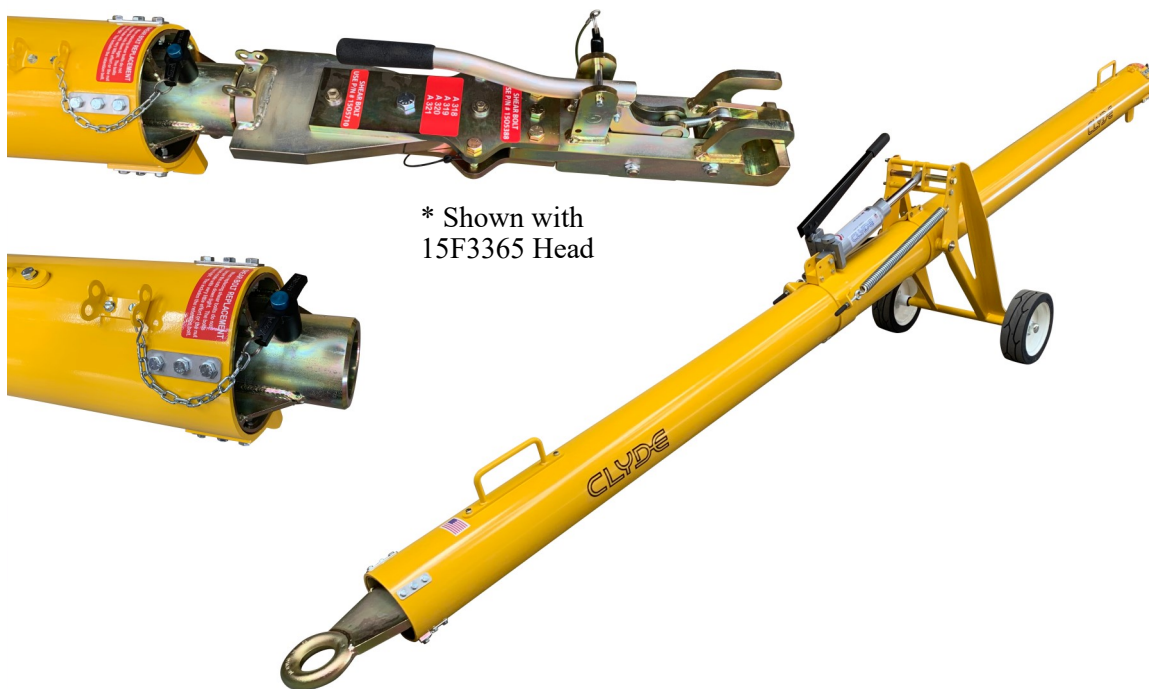




# 15F2515

## Quick Change Towbar



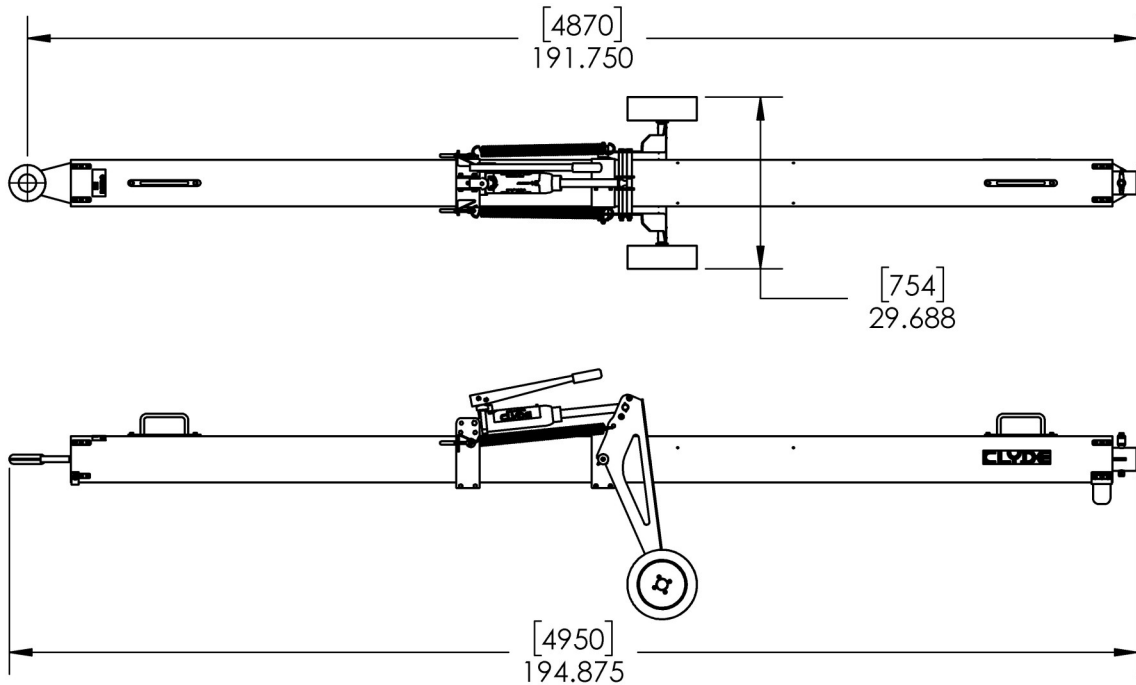
\* Shown with  
15F3365 Head

### Building Quality Ground Support Products Since 1961

- Quick change multi-head, narrow body Towbar
- PN 15F2515 is the body only, see page 2 for head options
- 8" x 15' high strength aluminum tube
- Fully retractable hydraulic running gear for adjustable height
- Safety lock system to avoid separation from aircraft
- Durable powder coat paint
- Quality shear bolts for aircraft protection
- Extra set of shear bolts included
- Solid tires
- Options:
  - Foam filled tires
  - Pneumatic tires
  - Cushioned lunette assembly
  - Spliced tube for easy transport

# 15F2515

## Quick Change Towbar



- Head options:
  - 15F2539 B727 clamp type
  - 15F2518 A300/310, B727
  - 15F3813 B737 100-900
  - 15F3364 B737 600-900 + Max + NG
  - 15F3365 A318-A321 NEO
  - 15F2519 B757
  - 15F2549 Fokker 70/100
  - 15F3736 A220 100/300

### Shipping Information

- Shipping Dimensions:
  - Weight — 350 lbs.
  - Length (no head) — 195"
  - Width — 30"
  - Height — 25"
- Crated Dimensions:
  - Weight — 770 lbs.
  - Length — 217"
  - Width — 26"
  - Height — 28"
  - 60 lbs. per extra head