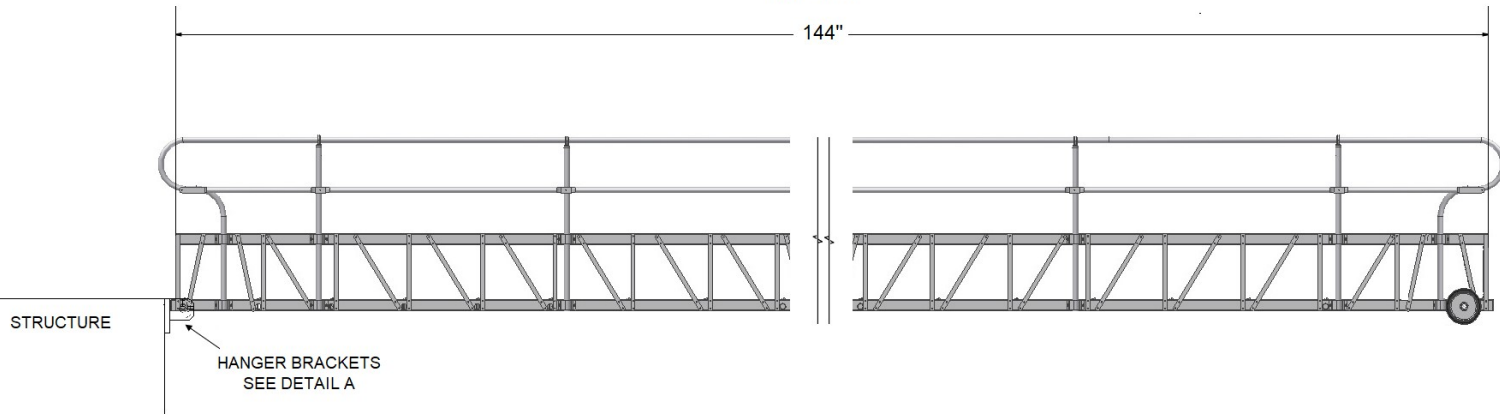
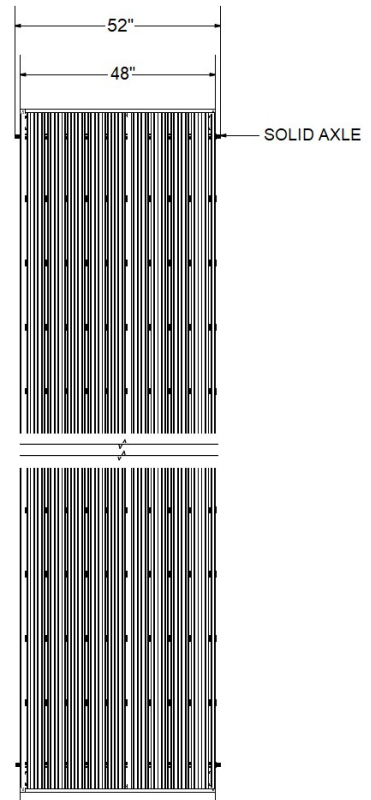


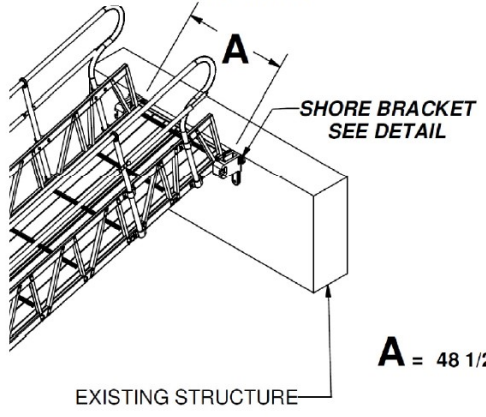
SIDE VIEW



TOP VIEW



FACE MOUNT



**A** = 48 1/2" ± 1/4" (48" Wide Ramp)

2,000 LBS. DISTRIBUTED LOAD CAPACITY

|                            |
|----------------------------|
| CREATED BY: DEREK AHLQUIST |
| CUSTOMER: DIVERSE SUPPLY   |
| PRODUCT: GANGWAY           |
| DATE: 3/5/2024             |

**DS-12 (48" Wide)**

NOT TO SCALE