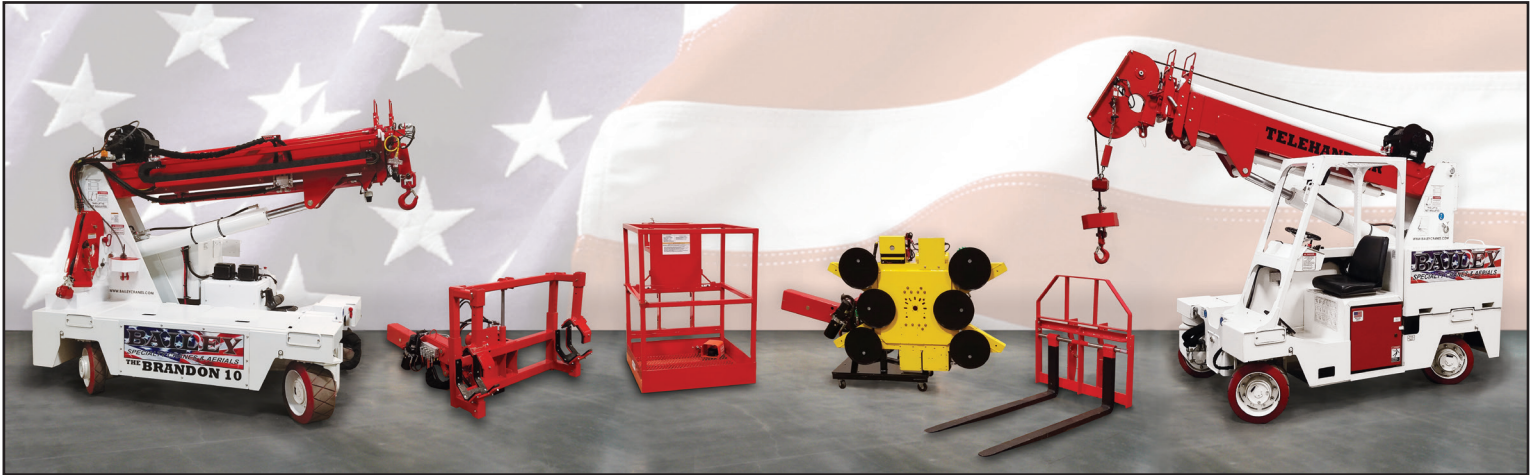


## THE BRANDON™ 10

*The World's Most Versatile Lifting Machine*



**Model:** Brandon 10 (with cab or no cab)

**Capacity:** 10,200 lbs

**Battery Power:** 35 HP AC Motor

**Steering:** Omni-Directional Drive

**Drive:** 2 Wheel Drive

**Charger:** On-board dual 110 Volts AC  
or optional external 480 Volts 3 Phase

**Boom:** Base unit, 2 telescoping booms and one manual pull-out boom. Attachments replace pull-out boom.

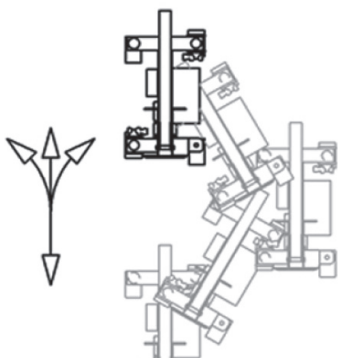
**Rated Load Limiter:** Displays rated load and actual load. Stops when overload is reached. Detects attachment and adjusts load parameters.

ISO 9001 REGISTERED MANUFACTURING COMPANY

### Omni-Directional Drive

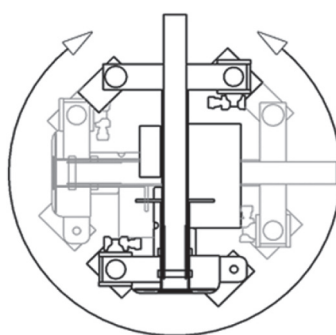
#### Two Wheel Steer

Typical front wheel steering like an automobile



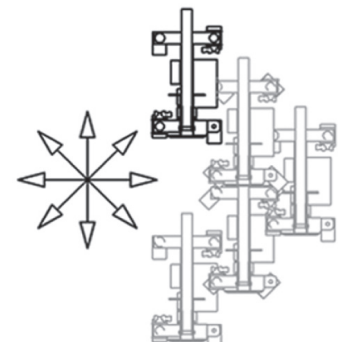
#### Spin Steer

Wheels rotate to a position so it rotates about its center



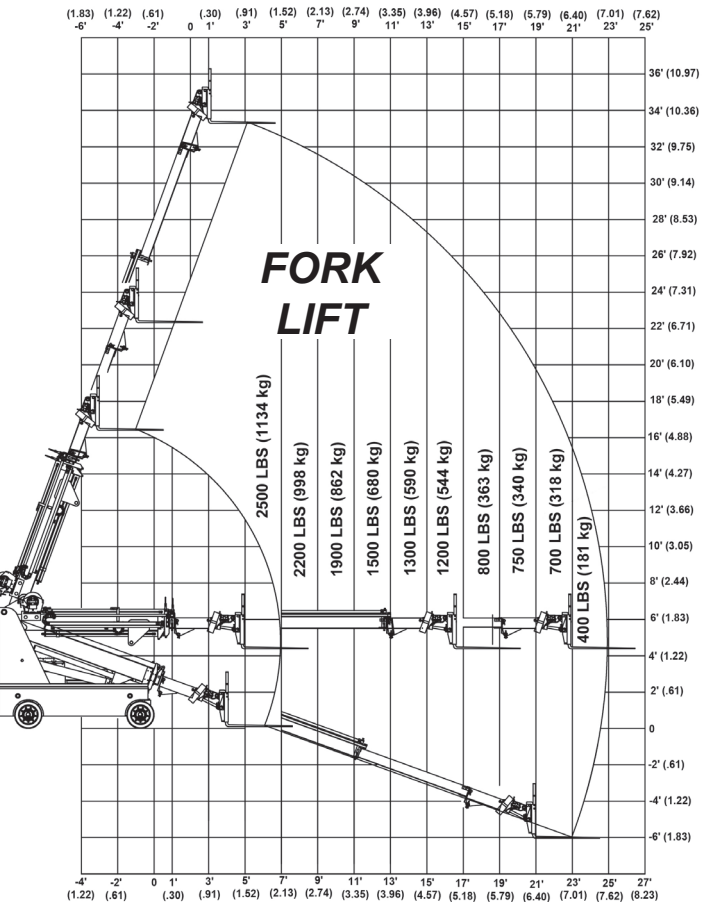
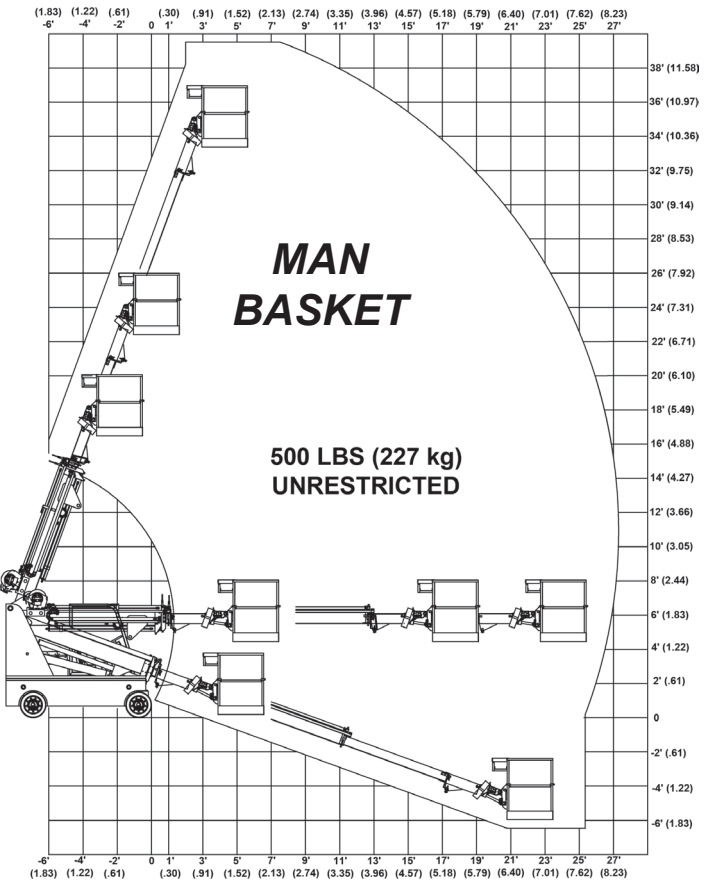
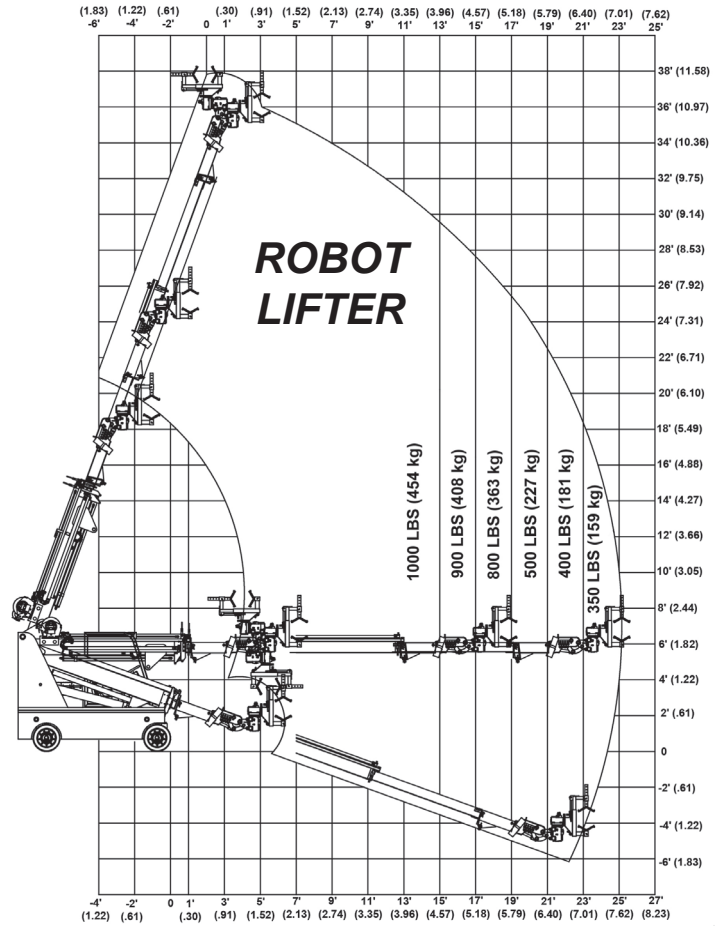
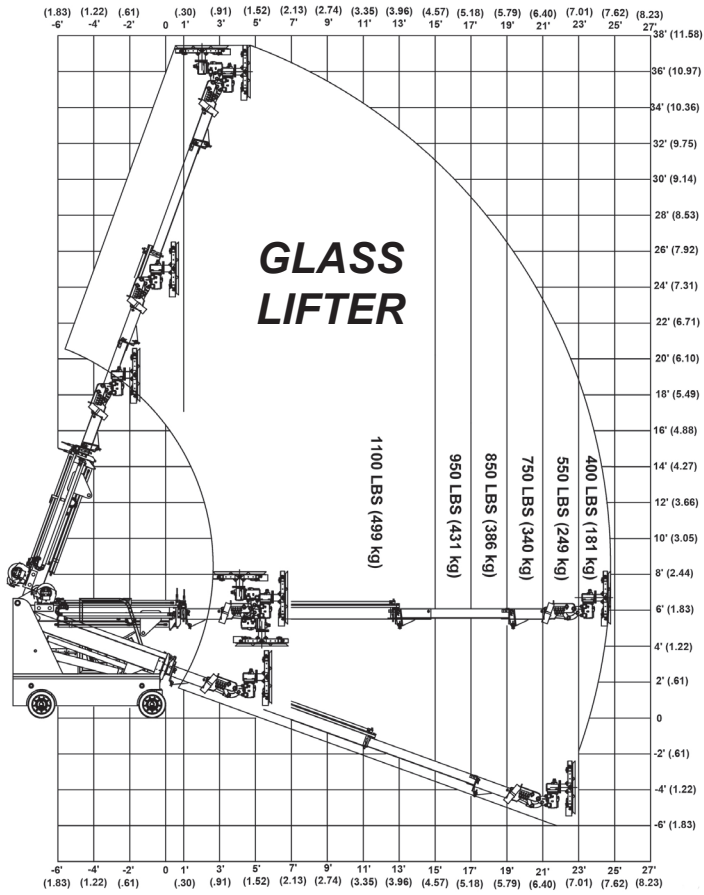
#### 90° Crab Steer

Wheels rotate 180° to provide sideways travel





# ENGINEERING THE FUTURE OF LIFT EQUIPMENT





# Features

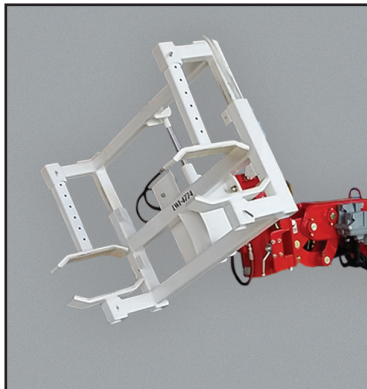


**Rated Load Limiter**  
Automatically detects attachment  
and adjusts loading parameters



**Radio Remote Control**  
For the no cab version

## Multiple Attachments



**Robot**



**Man Basket**



**Hoist Winch**



**Forks**



**Glass**



**Hanging Glass**

