



15F1900

Maintenance Stand

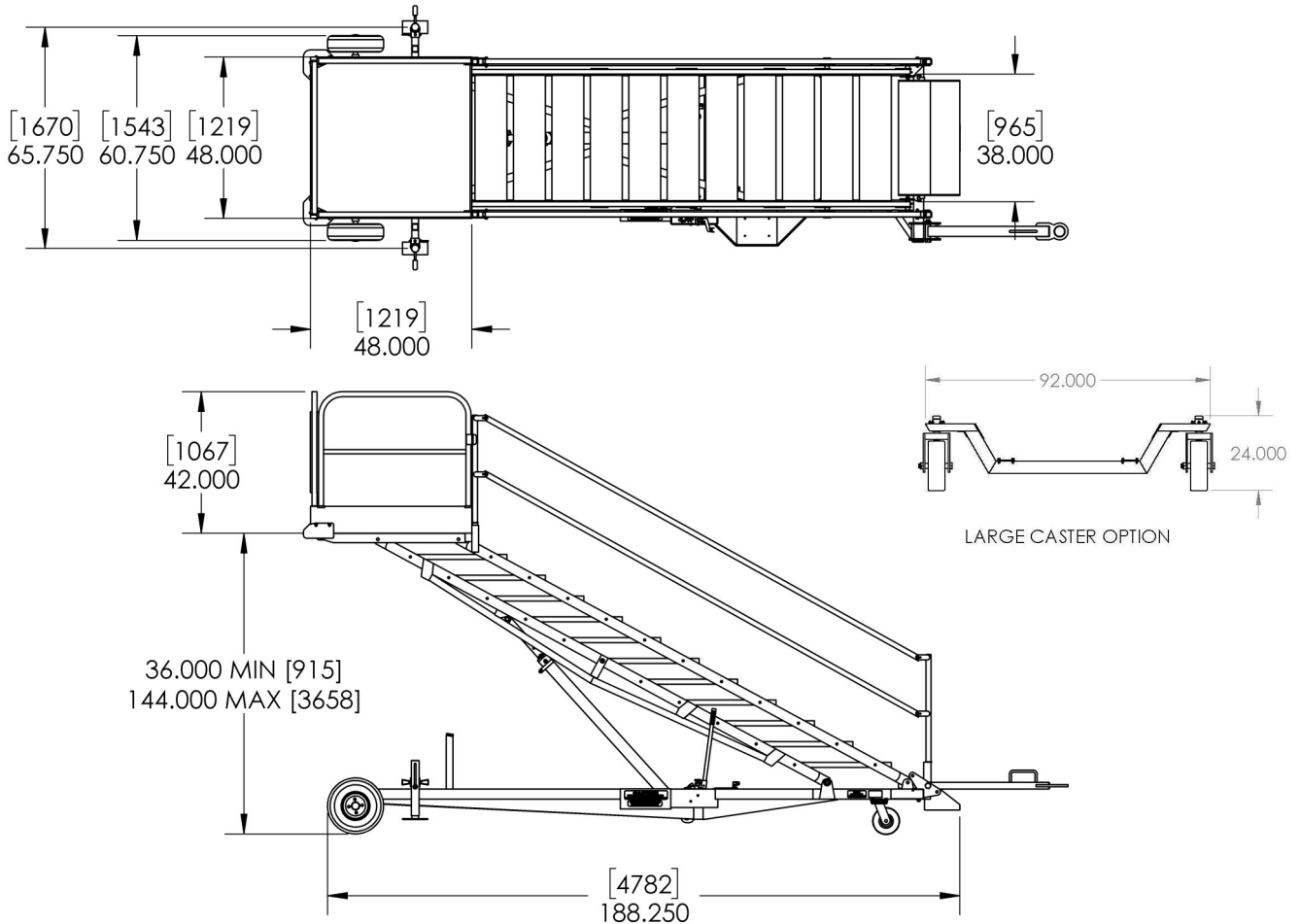


Building Quality Ground Support Products Since 1961

- 500 lb. platform capacity
- Adjustable to any height within its 3' to 12' platform floor range
- Double acting hydraulic hand pump
- Hydraulic restrictors in case of pressure failure
- Non-slip self-cleaning steps and platform floor
- Heavy-duty casters and 16" dia. pneumatic tires
- Hand adjustable screw jacks for stability
- Stair and platform railings can be lifted out and stored on the base
- Base, stairs, and platform stay parallel at any height position
- Durable powder coat finish
- Options:
 - 4 x 6 platform with sliding handrails
 - Large caster option
 - 4.00 x 8 solid tires
 - Safety strut with pin

15F1900

Maintenance Stand



Shipping Information

- Dimensions:
 - Weight - 1560 lbs.
 - Length - 209"
 - Width - 70"
 - Height - 43"