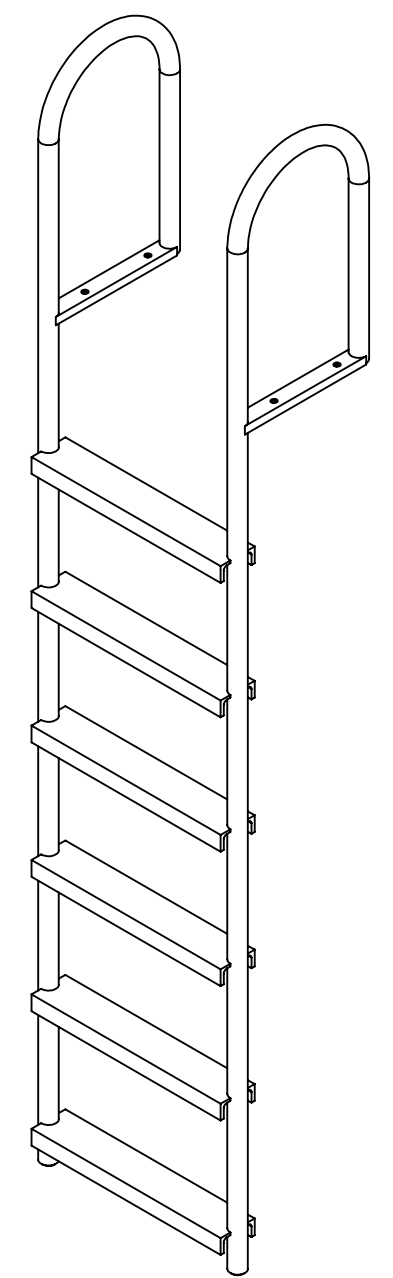
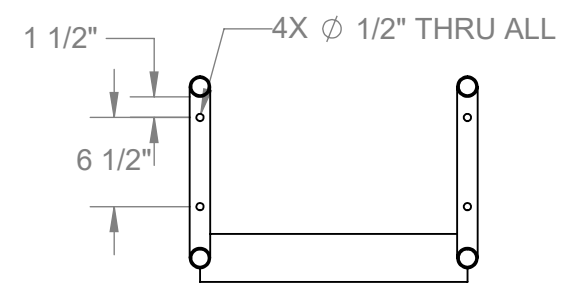
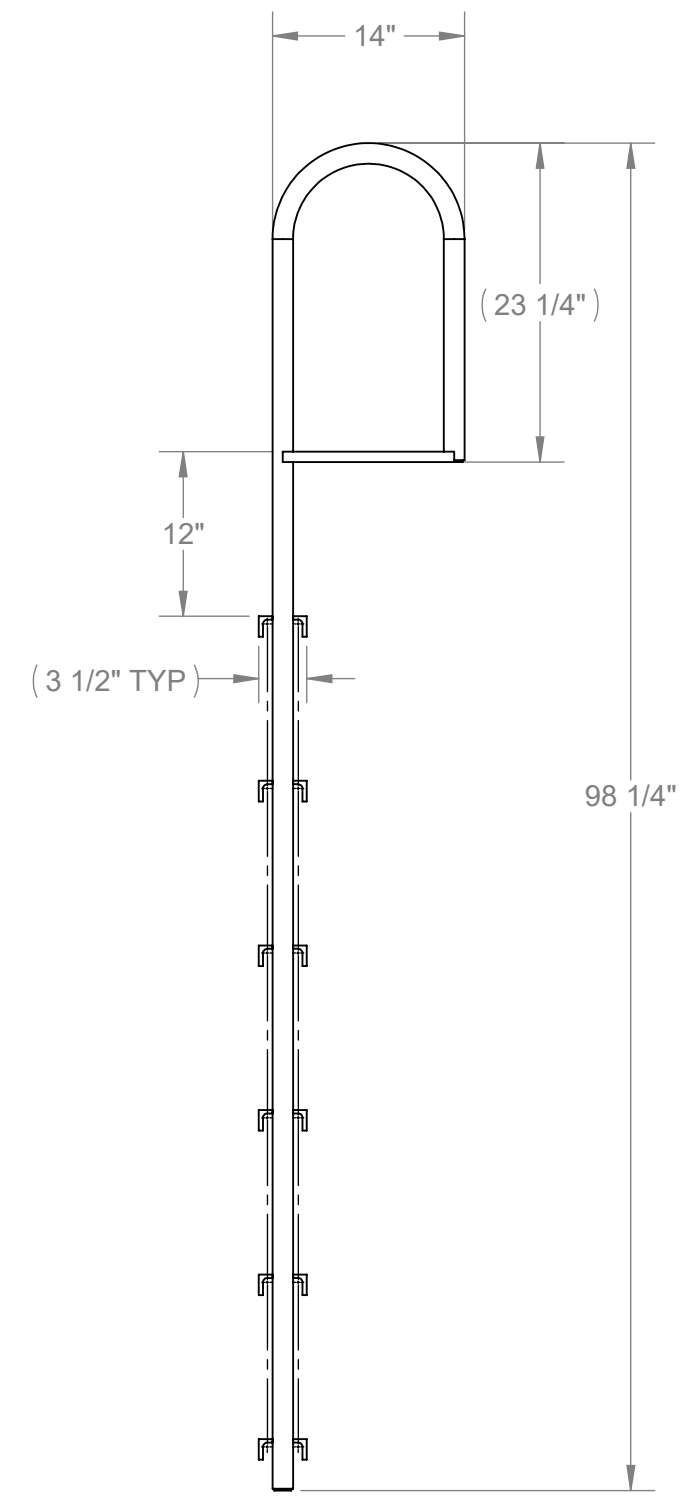
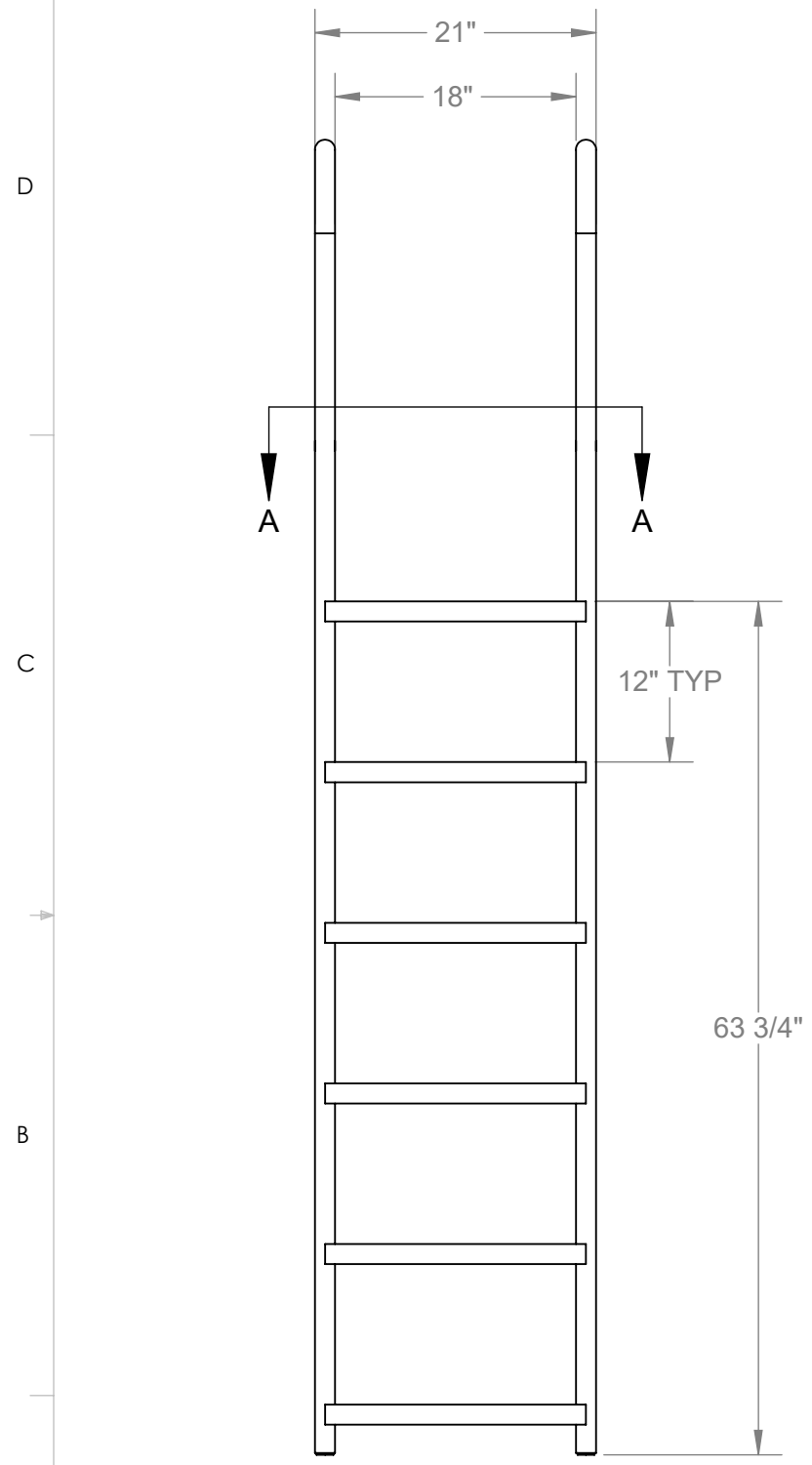


8 7 6 5 4 3 2 1



D
C
B
A

D
C
B
A

COMPANY NAME: _____
 CUSTOMER SIGNATURE: _____
 CUSTOMER NAME (PRINTED): _____
 DATE SIGNED: _____

PROPRIETARY AND CONFIDENTIAL

THE INFORMATION CONTAINED IN THIS DRAWING IS THE SOLE DIVERSE SUPPLY, INC.. ANY REPRODUCTION IN PART OR AS A WHOLE WITHOUT THE WRITTEN PERMISSION OF DIVERSE SUPPLY, INC. IS PROHIBITED.

DIVERSE SUPPLY, INC. (888) 802-3651			
UNLESS OTHERWISE SPECIFIED: DIMENSIONS ARE IN INCHES TOLERANCES: FRACTIONAL ± 1/16 TWO PLACE DECIMAL ± 0.06	NAME	DATE	TITLE: DOCK LADDER 6 STEPS, 3.5" DEEP STEPS, 500 LB CAPACITY, HANDRAILS
	DRAWN		
MATERIAL AL	COMMENTS:		SIZE B
FINISH MILL			DWG. NO. DS-STL-35-6
DO NOT SCALE DRAWING			WEIGHT: 33.49 SHEET 1 OF 1

8 7 6 5 4 3 2 1