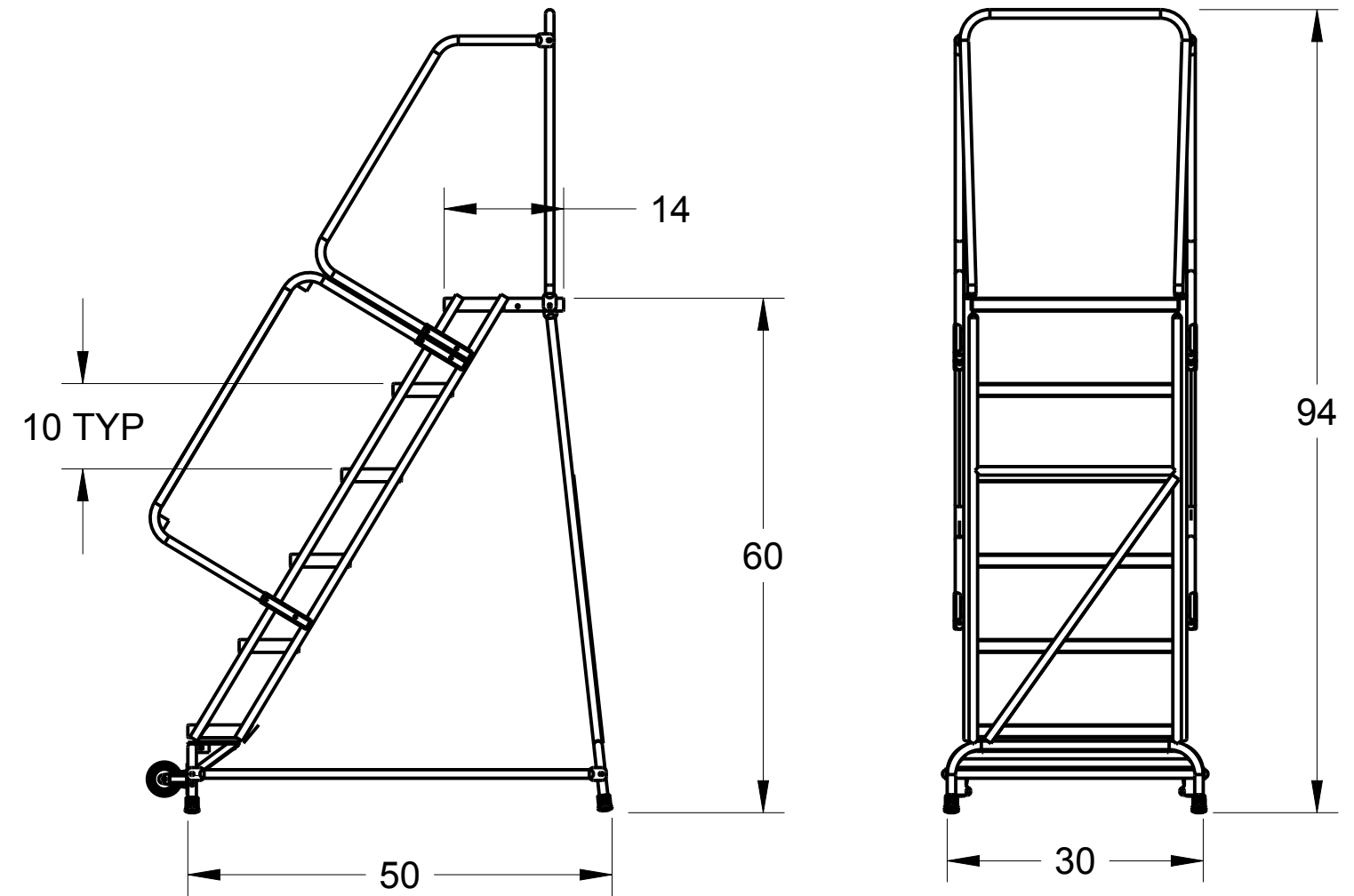
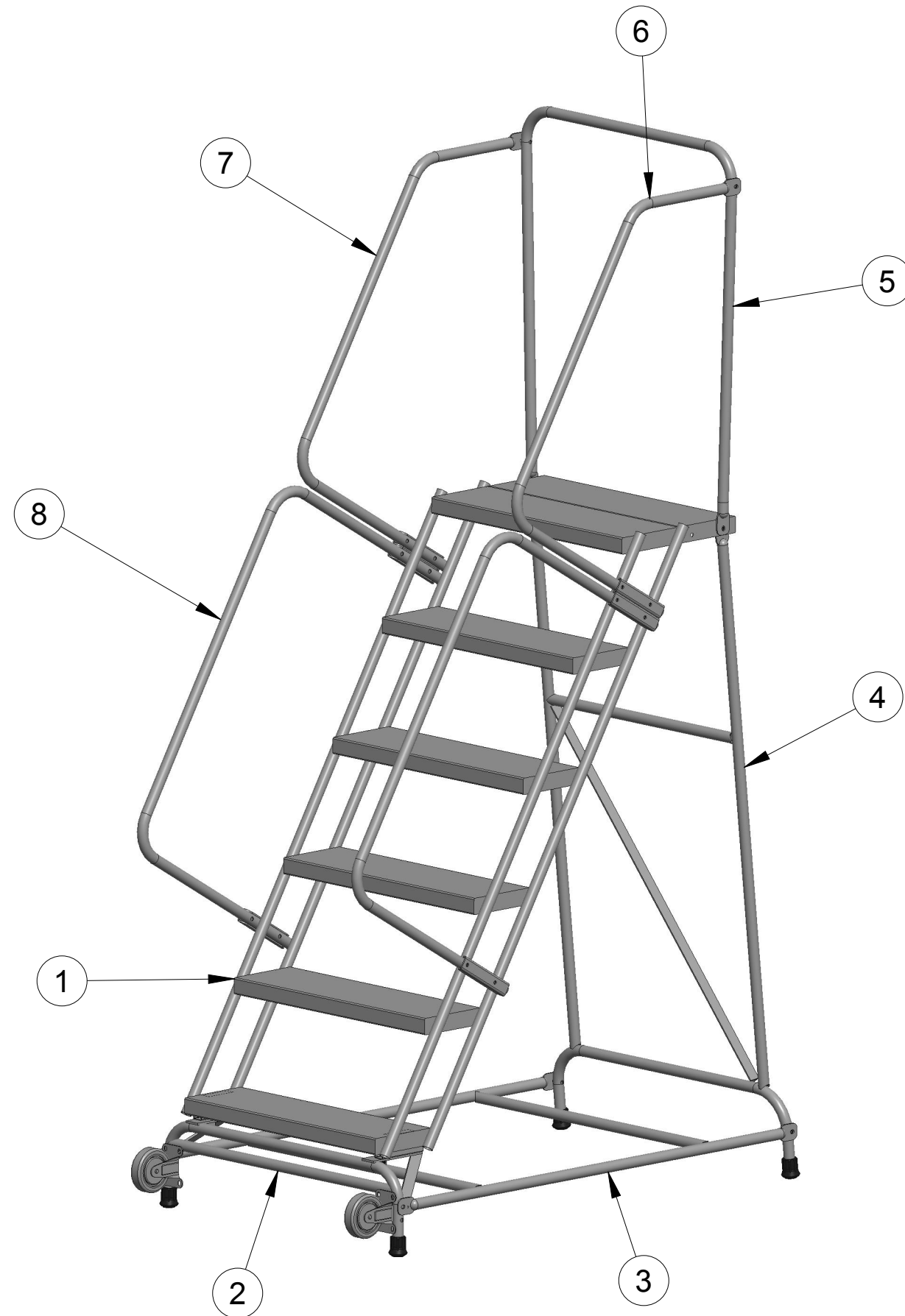


ITEM	NAME	NUMBER	QTY
1	59STAIRSECTIONASM63214SS	C0000969SS	1
2	U-BAR_ASSY-30-SS	B0001120	1
3	BASE_ASSY-630-SS	B0000491-SS	1
4	VERTICAL_ASSY_630-SS	B0001120	1
5	REAR_GUARDRAIL-32-SS	90800002SS	1
6	59HANDRAILEXTENSION14-5_12RSS	C0000881SS	1
7	59HANDRAILEXTENSION14-5_12LSS	C0000882SS	1
8	57LOWERHANDRAILASSY-6SS	90700002_57SS	2



TOLERANCES
 dimensions shown in inches
 MATERIAL
 STAINLESS STEEL

PART NAME			
DS-SSTR630			
SIZE	B	PART NO	DS-SSTR630
SCALE: 0.050		Sheet 1 of 1	REV DATE: 19-APR 2021