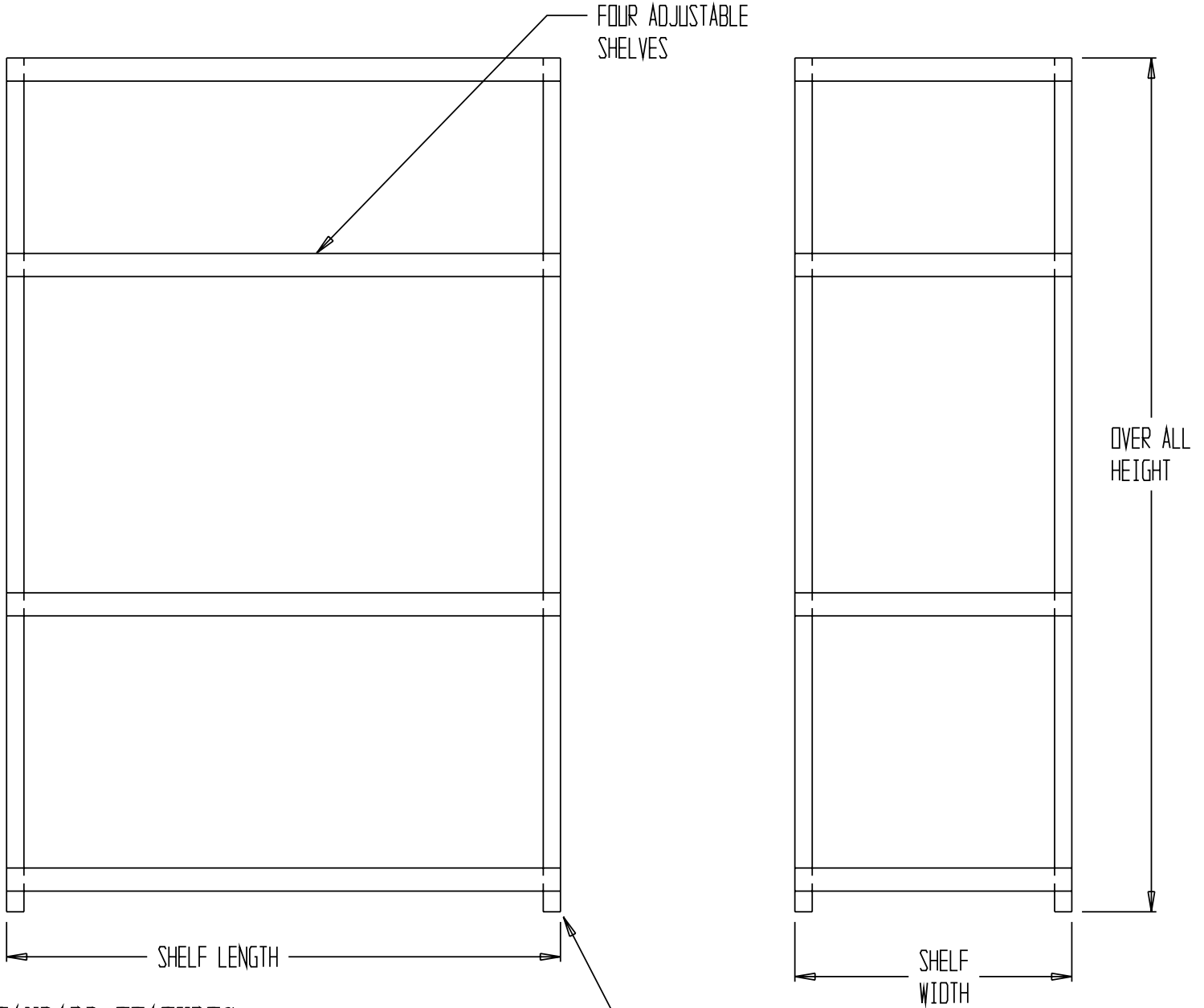


STAINLESS STEEL SHELVING: SSS-2448



STANDARD FEATURES

MODEL NUMBER: SSS-2436
 CAPACITY: 600 LBS PER SHELF
 SHELF LENGTH: 48"
 SHELF WIDTH: 24"
 SHELF THICKNESS: 18 GAUGE
 SHELVES: QTY - 4 (ADJUSTABLE)
 OVERALL HEIGHT: 74"

- UNITS SHIP KNOCKED-DOWN
- SOME ASSEMBLY REQUIRED

SPECIAL FEATURES

NONE

**SPECIAL UNITS ARE NON-RETURNABLE
 *AVAILABLE AT ADDITIONAL COSTS

ADJUSTABLE
LEVELING FEET

LEAD TIME WILL START UPON
RECEIPT OF SIGNED APPROVAL
DRAWING

APPROVAL

I, the undersigned, hereby approve this print
 As drawn As marked
 This includes my approval of design & dimensions.
 Signed: _____
 Date: _____

DISTRIBUTOR'S NAME:		P.O.#: -
VESTIL MANUFACTURING		W.O.#: -
DRAWN BY: P. DALER	DATE: 9/20/07	SALES: -
REFERENCE:	DRWG./FILE NAME:	
-	SCALE - 1:14	SSS-2448