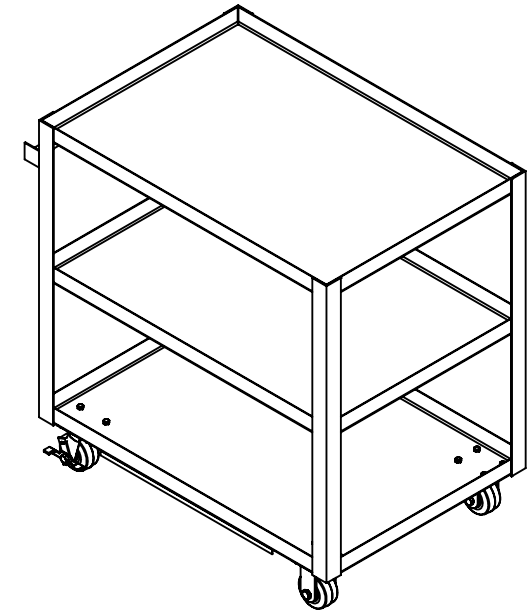
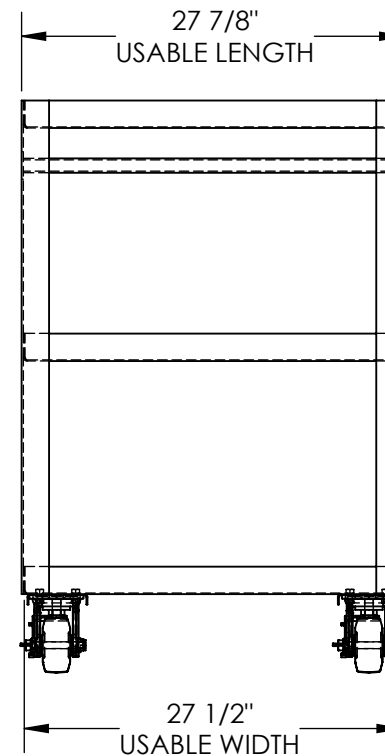
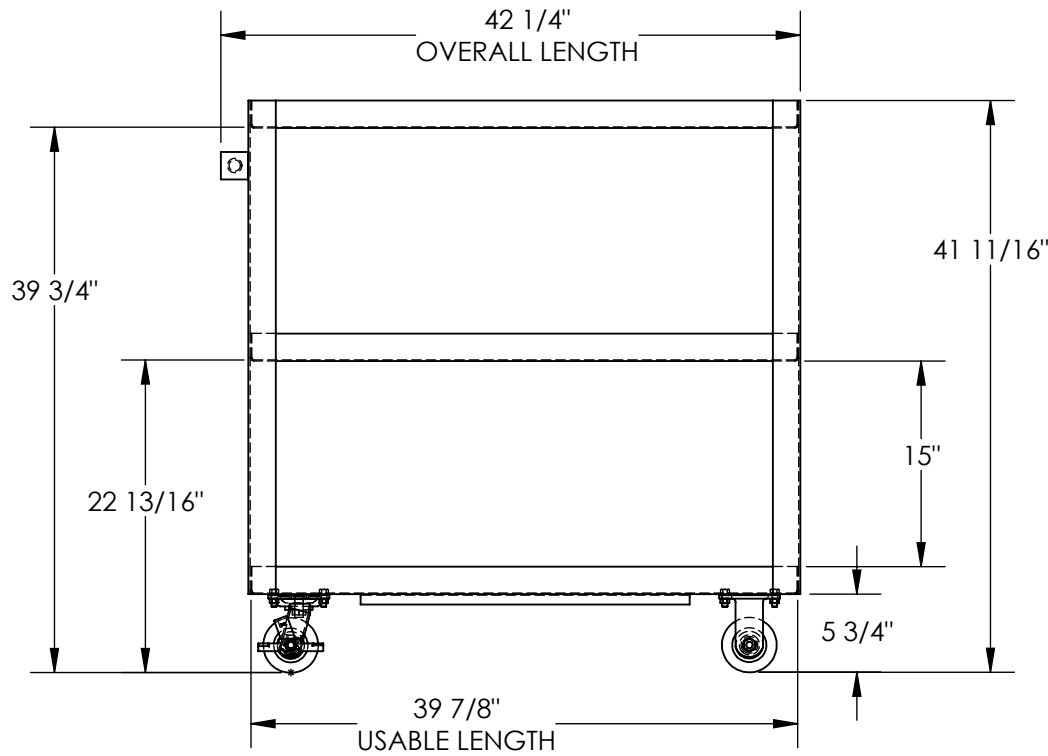


# SERVICE CARTS - SCS3-2840

APPROX WEIGHT: 131.41 lbs.  
 DOES NOT INCLUDE WEIGHT OF POWER OR PACKAGING!!!

\*\*\* ANY ADDITIONS, DELETIONS, OR OMISSIONS MUST BE CORRECTED ON THIS DRAWING AS THIS DRAWING WILL BE CONSIDERED ALL INCLUSIVE \*\*\*

ALL GRAPHICS PROVIDED ARE FOR REFERENCE ONLY. IF CERTAIN DIMENSIONS ARE CRITICAL PLEASE VERIFY THOSE DIMENSIONS WITH YOUR SALESPERSON



## STANDARD FEATURES

- MODEL NUMBER IS SCS3-2840
- OVERALL WIDTH IS 27 7/8"
- USABLE WIDTH IS 27 1/2"
- OVERALL LENGTH IS 42 1/4"
- USABLE LENGTH IS 39 7/8"
- OVERALL HEIGHT IS 41 11/16"
- MAX CAPACITY IS 1,000 lbs. (550 LBS. PER SHELF)
- STEEL CONSTRUCTION
- SHELF CLEARANCE 15"
- USABLE TOP SHELF HEIGHT IS 22 13/16", 39 3/4"
- TOUGH BAKED IN POWDER COATED BLUE FINISH

## SPECIAL FEATURES

NONE

DIMENSION TOLERANCE ± 1/4"

APPROVAL

I, THE UNDERSIGNED, AGREE THAT THE PRODUCT AS REPRESENTED SATISFIES DESIGN AND DIMENSION REQUIREMENTS. I ALSO ACKNOWLEDGE MY DUTY TO CONFIRM PRODUCT AND INSTALLATION COMPLIANCE WITH ALL APPLICABLE FEDERAL, STATE AND LOCAL REGULATIONS AND STANDARDS.  
**UNITS REQUIRING APPROVAL DRAWINGS OR MODIFIED ARE NON-RETURNABLE**  
 As drawn       As marked

Signed: \_\_\_\_\_ Date: \_\_\_\_\_

Printed Name: \_\_\_\_\_

LEAD TIME WILL START UPON RECEIPT OF SIGNED APPROVAL DRAWING

|                      |             |            |
|----------------------|-------------|------------|
| DISTRIBUTOR'S NAME:  |             | P.O.#      |
| VESTIL MANUFACTURING |             | X          |
| DRAWN BY: B.HORN     |             | W.O.#      |
| DATE: 07/17/14       |             | X          |
| REFERENCE: X         | SCALE: 1:14 | SALES: X   |
| QUOTED LEAD TIME: X  | QUOTE #     | FILE NAME: |
|                      | X           | 16-007-110 |