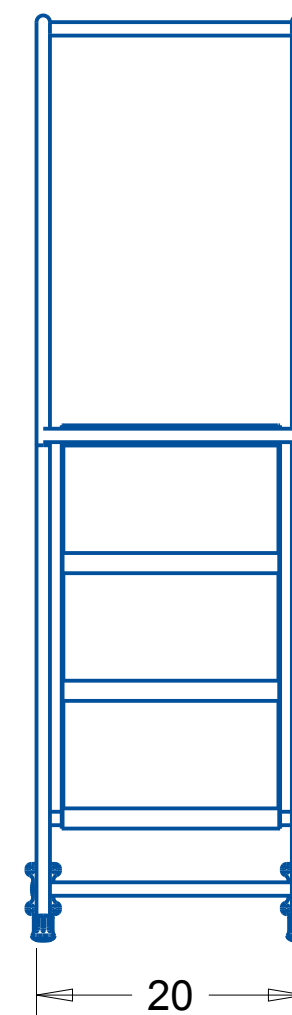
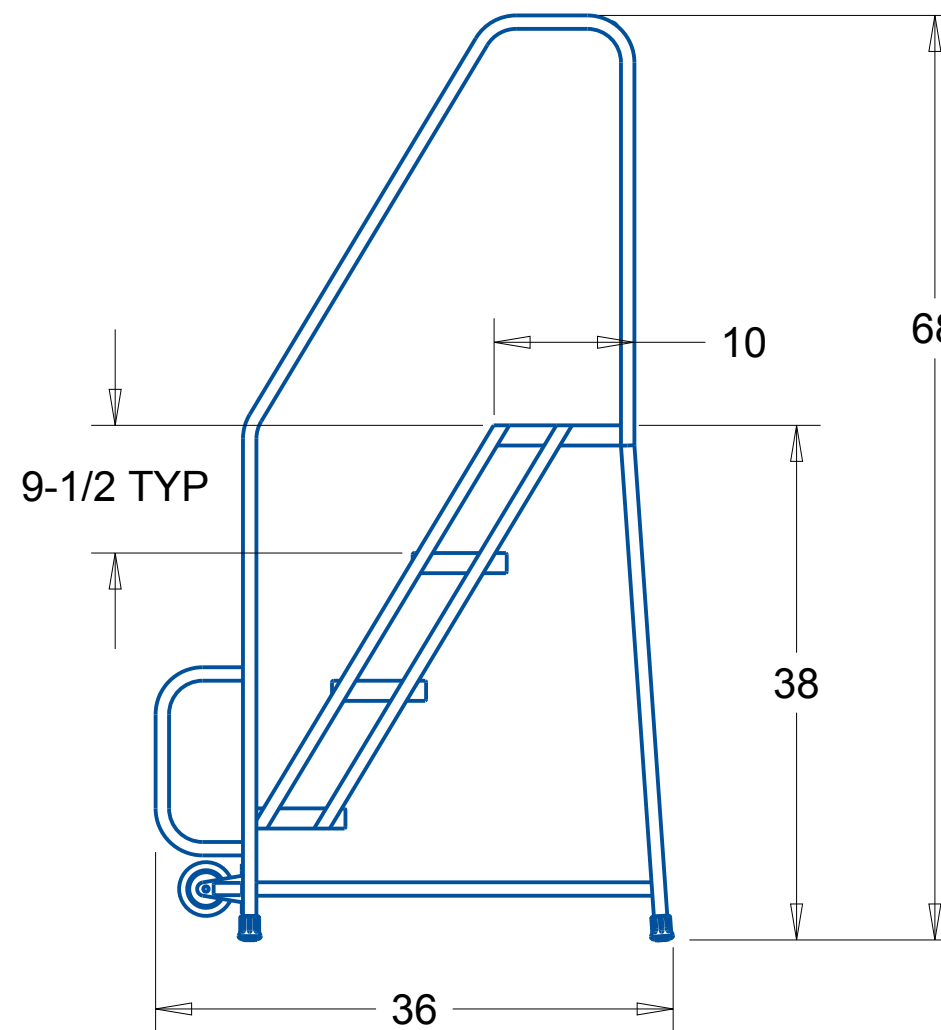
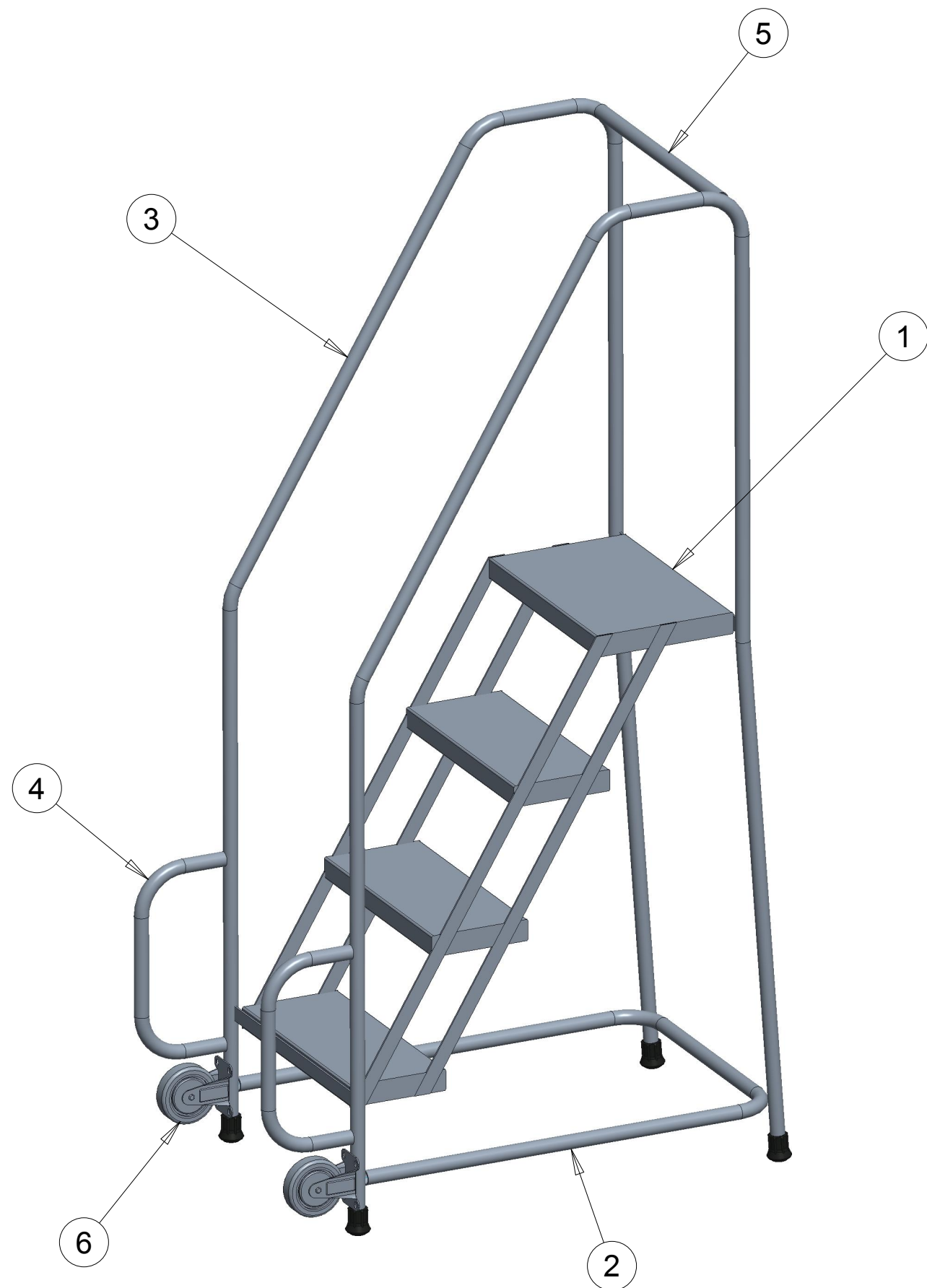


ITEM	NAME	NUMBER	QTY
1	59STAIRSECTASSY_41610_OS_NO_LS	B0001249	1
2	BASE_U_41610	B0001250	1
3	SIDE_FRAME-410	B0001252	2
4	FRONT_WHEELGUARD_TR	B0000929	2
5	REAR_GUARDRAIL_HORIZ-19	C0000030	1
6	4" RIGID CASTER	00400062	2



dimensions shown in inches		PART NAME	
TOLERANCES		<b>H418TR</b>	
MATERIAL	SIZE	PART NO	REV
<b>STEEL</b>	<b>B</b>	<b>H418TR</b>	
SCALE: 0.070	Sheet 1 of 1	REV DATE:	8-MAY 2019