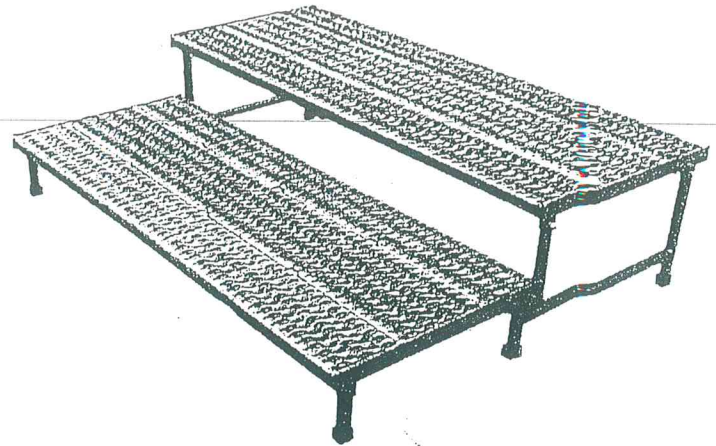
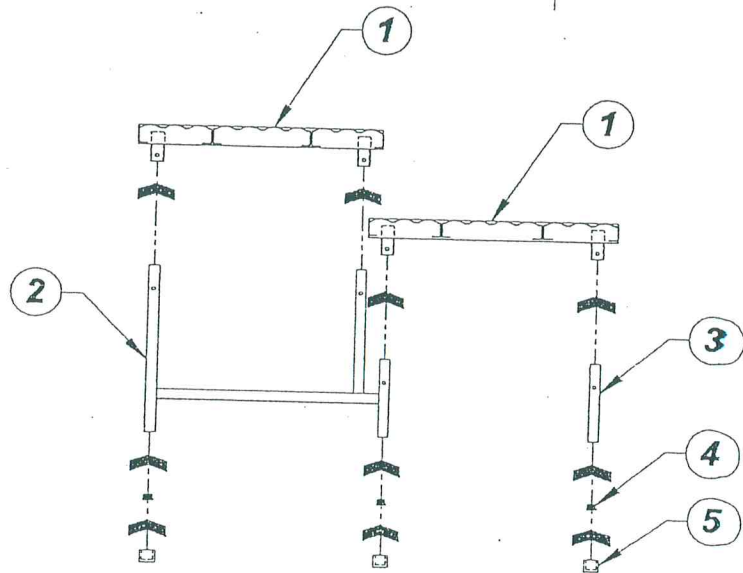


2 Step Fixed Height Work Platform



Assembly Instructions

- 1 Assemble components together as shown in sketch at right.
- 2 Align holes in mating parts and install a bolt thru the hole and secure it with the stop nut provided.
- 3 Install plastic plug into bottom of all legs. Use a hammer to seat the plug fully.
- 4 Slip the Square rubber feet over the plastic plugs previously inserted into the legs.
- 5 The unit can now be placed into service.



⑥ ⑦ BOLTS & NUTS (NOT SHOWN)

UNIT CAPACITY

Note: The unit capacity is 500 lbs. (2 persons) evenly distributed over the platforms. DO NOT OVERLOAD

Item	Description	Quantity			
		24"W Unit	36"W Unit	48"W Unit	60"W Unit
1	24" DEEP PLATFORM	2 @ 24"	2 @ 36"	2 @ 48"	2 @ 60"
2	2 STEP LEG ASSEMBLY	2	2	2	2
3	SINGLE LEG	2	2	2	2
4	1" SQUARE PLASTIC PLUGS	6	6	6	6
5	1" SQUARE RUBBER CRUTCH TIPS	6	6	6	6
6	5/16 - 18 X 1-3/4"L HEX BOLTS	8	8	8	8
7	5/16 - 18 NYLON INSERT STOP NUTS	8	8	8	8