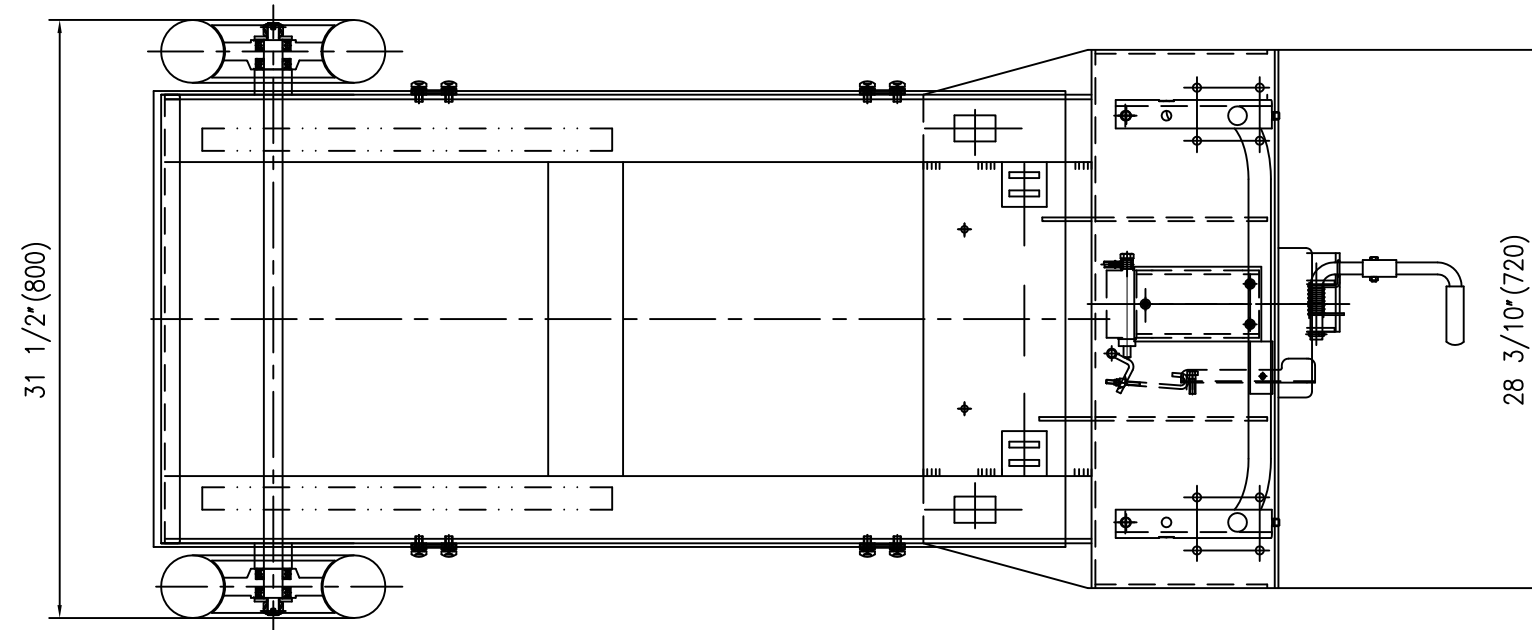
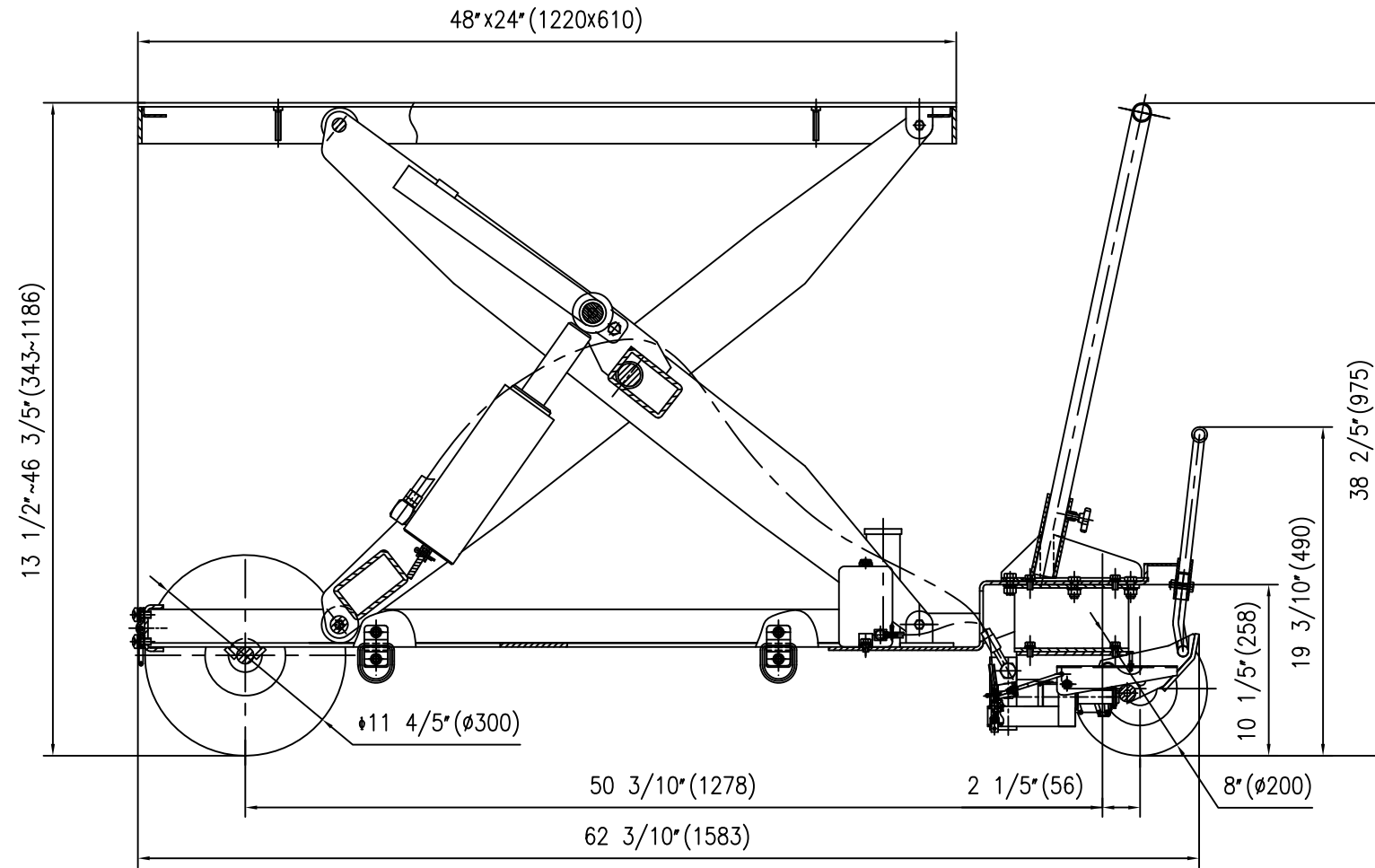


CART-PN-1000



Model:	CART-PN-1000	
Description:	Rough Terrain Elevating Cart	
Design:	T.M	Date: 05/28/2019