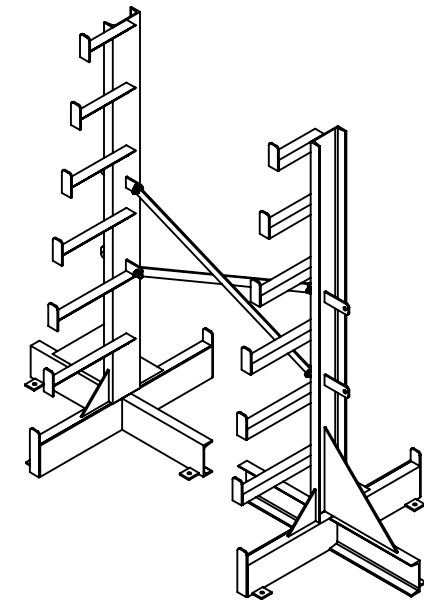
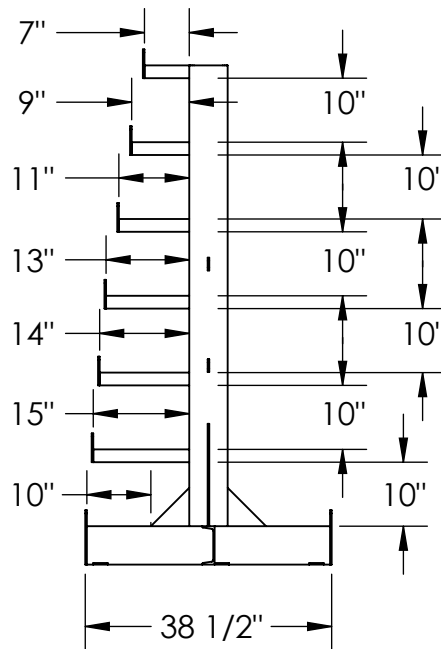
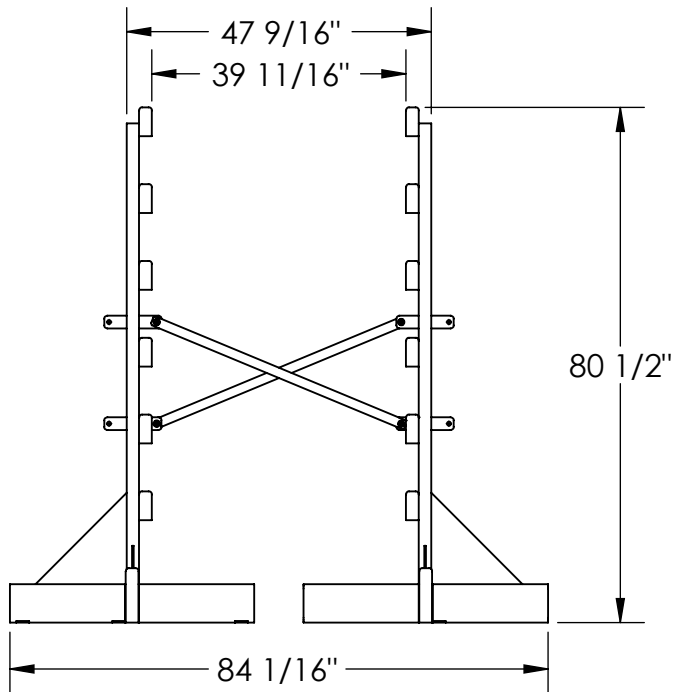
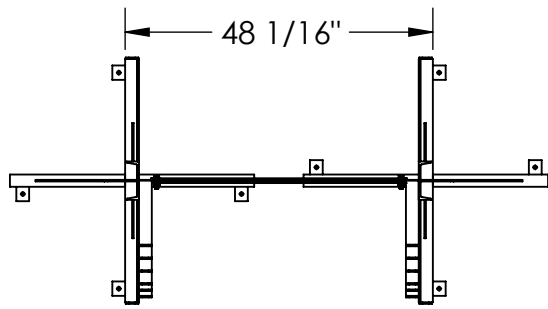


SINGLE SIDED BAR STOCK TREE - BAR-R-84-S

APPROX WEIGHT: 329.73 lbs.
 DOES NOT INCLUDE WEIGHT OF POWER OR PACKAGING!!!

*** ANY ADDITIONS, DELETIONS, OR OMISSIONS MUST BE CORRECTED ON THIS DRAWING AS THIS DRAWING WILL BE CONSIDERED ALL INCLUSIVE ***

ALL GRAPHICS PROVIDED ARE FOR REFERENCE ONLY. IF CERTAIN DIMENSIONS ARE CRITICAL PLEASE VERIFY THOSE DIMENSIONS WITH YOUR SALESPERSON



3D VIEW SHOWN FOR REFERENCE ONLY

DIMENSION TOLERANCE $\pm 1/4"$

APPROVAL

I, THE UNDERSIGNED, AGREE THAT THE PRODUCT AS REPRESENTED SATISFIES DESIGN AND DIMENSION REQUIREMENTS. I ALSO ACKNOWLEDGE MY DUTY TO CONFIRM PRODUCT AND INSTALLATION COMPLIANCE WITH ALL APPLICABLE FEDERAL, STATE AND LOCAL REGULATIONS AND STANDARDS.

UNITS REQUIRING APPROVAL DRAWINGS OR MODIFIED ARE NON-RETURNABLE

As drawn As marked

Signed: _____ Date: _____

Printed Name: _____

LEAD TIME WILL START UPON RECEIPT OF SIGNED APPROVAL DRAWING

FOR INTERNAL USE ONLY PROJECT SIGN OFF	
SALES	
ENG.	
FAB.	
POWER	

DISTRIBUTOR'S NAME:		P.O.#
VESTIL MANUFACTURING		X
W.O.#		X
DRAWN BY: JDB	DATE: 6/11/2009	SALES: X
REFERENCE: X	SCALE: 1:30	FILE NAME:
QUOTED LEAD TIME: X	QUOTE # X	31-007-098

STANDARD FEATURES

- MODEL NUMBER IS BAR-R-84-S
- OVERALL WIDTH IS 38 1/2"
- OVERALL LENGTH IS 84 1/16"
- OVERALL HEIGHT IS 80 1/2"
- MAX CAPACITY IS 500 LBS. PER ARM
- STORAGE: 7 LEVELS
- BAR STOCK CAN BE STORED ON ONE SIDE
- UNIT SUPPLIED WITH LAG DOWN BRACKETS
- UNIT COMES WITH 2 UPRIGHTS AND 1 SET OF CROSS-BRACING
- TOUGH BAKED IN POWDER COAT BLUE FINISH

SPECIAL FEATURES

NONE