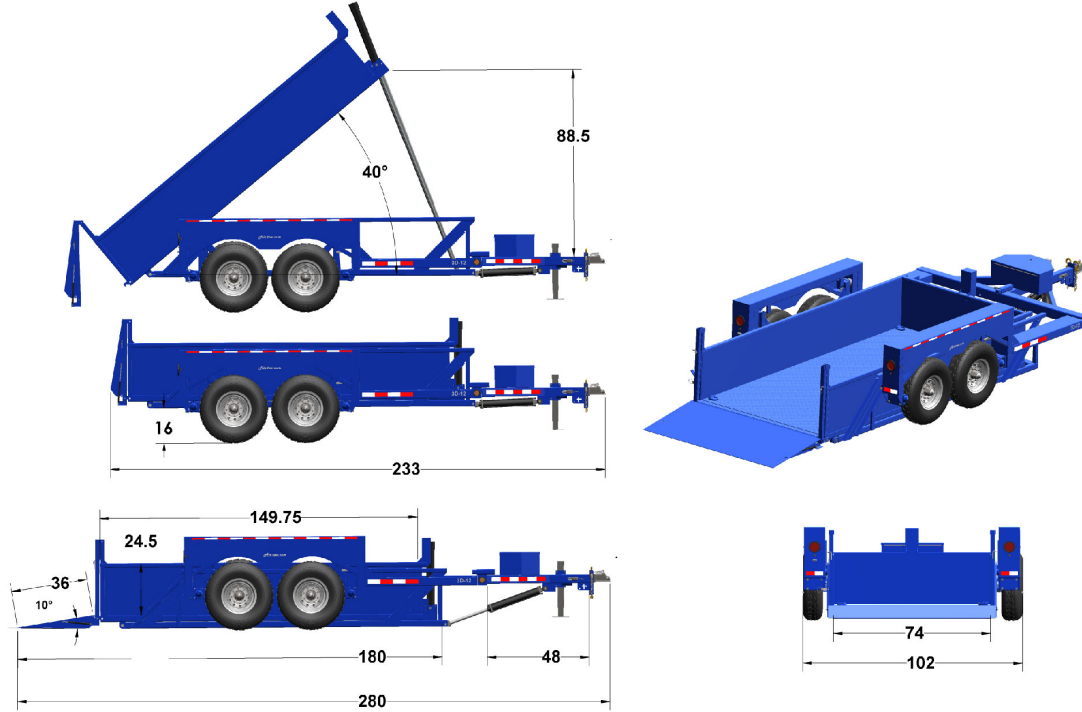


Trailer Specifications

3D12 Drop-Deck & Dump, Ground-Level Loading Trailer



Specifications

Features

MODEL	3D12
Capacity (lbs)	10,000
Full Dump Angle	45 Degree
Bed Width Inside	74"
Bed Length Inside	149"
Bed Depth Inside	24"
Trailer Width Overall	101"
Axles	Tandem
Brakes	Dual Elec.
Suspension	Rubber
Lift Mechanism	Dual Hydraul.
Tailgate Ramp	Dual Acting
Coupler	2 5/16"
Weight	4,695 lbs
Color	Royal Blue

Ground-level Loading
 Non-tilting Deck
 Extra-Wide Deck
 Heavy-Duty Diamond Deck
 Fenderless
 Adjustable Coupler
 Adjustable Chain

Rubber Suspension
 "Air-Float" Swingarm Axles
 Remote Control
 Bright LED Lights
 Durable Powder Coat Paint
 4 Heavy-duty D-Rings
 16" F-Rated Wheels

Optional Accessories

(others accessories available)

6amp Battery Charger
 Solar Battery Charger
 Wireless Hydraulic Remote
 16" Spare Tire ST225/75D15
 Spare Tire Bracket
 Side-Mounted Tool Box

Canvas Cover
 12" Extended Sides
 Front Rail Cushion
 Aluminum Wheels
 Surge Brakes
 Custom Powder Coated Paint

Popular Uses

Scissor lifts, skid steers, trenchers, tool carriers, floor scrubbers, pavement sweepers, safes, vaults, vending machines, motorcycles, mowers, landscape tools, appliances, party rental goods, overhead doors & windows, ATMs & much more!