



15F3875

# Access Stand

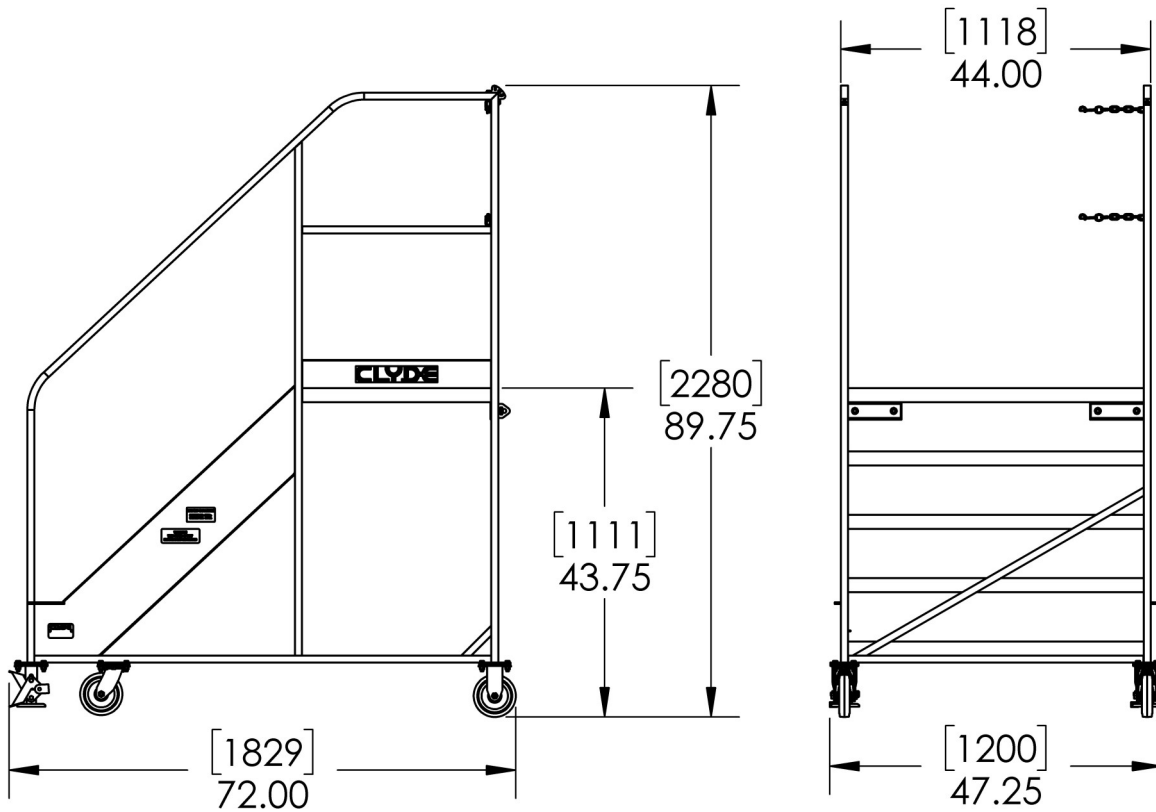


Building Quality Ground Support Products Since 1961

- OSHA compliant
- 43.75" high to the top step
- D-Bumper protection on front of platform
- Swivel casters with brakes
- Separate floor locks
- Durable powder coat finish

**15F3875**

# Access Stand



## Shipping Information

- Dimensions:
  - Weight - 275 lbs.
  - Length - 72"
  - Width - 47.25"
  - Height - 89.75"