



15F3092

Maintenance Stand

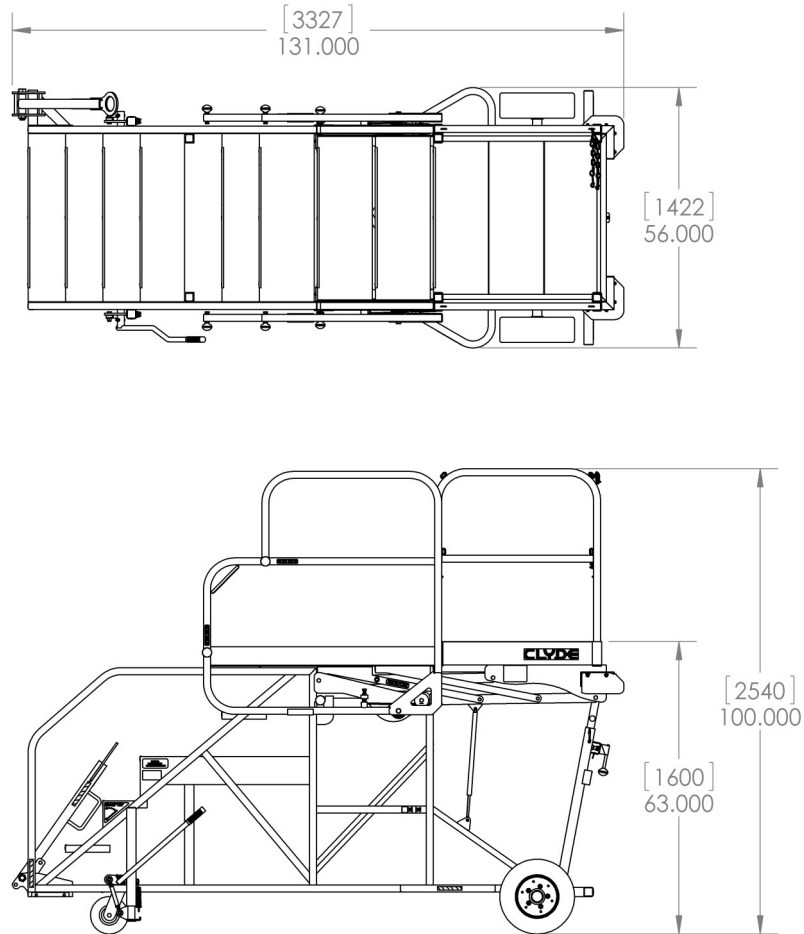


Building Quality Ground Support Products Since 1961

- 500 lb. platform capacity
- Platform Heights are: 57", 75", and 86"
- Gas strut lift system
- OSHA compliant
- Non-slip self-cleaning steps and platform floor
- Heavy-duty caster and 16" dia. Solid tires make it easy to move from job-to-job
- Single lever stabilizer/brake
- Upper platform railings can be lifted out and stored below
- Mid platform railings can be easily swung down and out of the way
- Base, stairs, and platform stay parallel at any height position
- Durable powder coat finish

15F3092

Maintenance Stand



Shipping Information

- Dimensions:
 - Weight - 890 lbs.
 - Length - 132"
 - Width - 56"
 - Height - 100"