



15F2949

Maintenance Stand

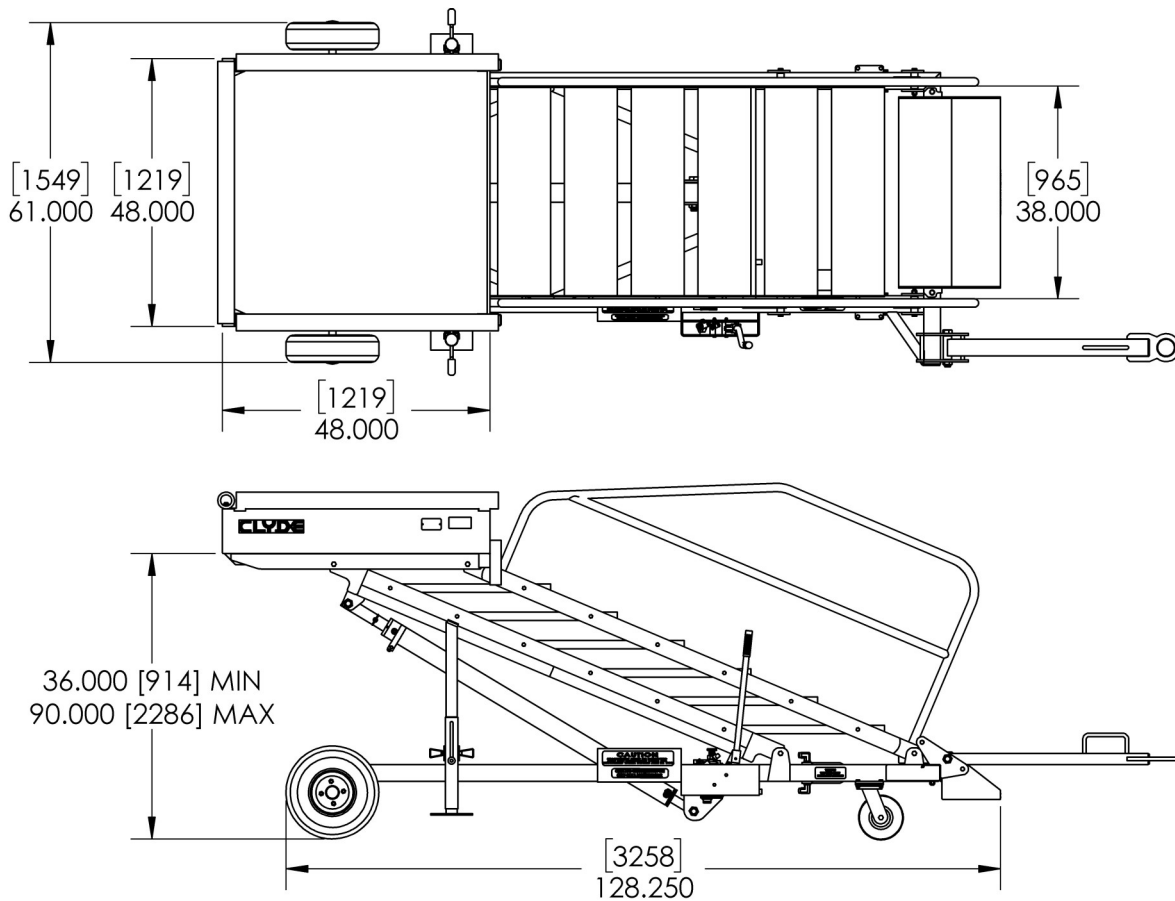


Building Quality Ground Support Products Since 1961

- B737 48 Section Ladder
- 500 lb. platform capacity
- Adjustable to any height within its 36" to 90" platform floor range
- Double acting hydraulic hand pump
- Hydraulic restrictors in case of pressure failure
- Non-slip self-cleaning steps and platform floor
- Heavy-duty casters and 16" dia. Pneumatic tires
- Base, stairs, and platform stay parallel at any height position
- Durable powder coat finish

15F2949

Maintenance Stand



Shipping Information

- Dimensions:
 - Weight - 1400 lbs.
 - Length - 139"
 - Width - 65"
 - Height - 62"