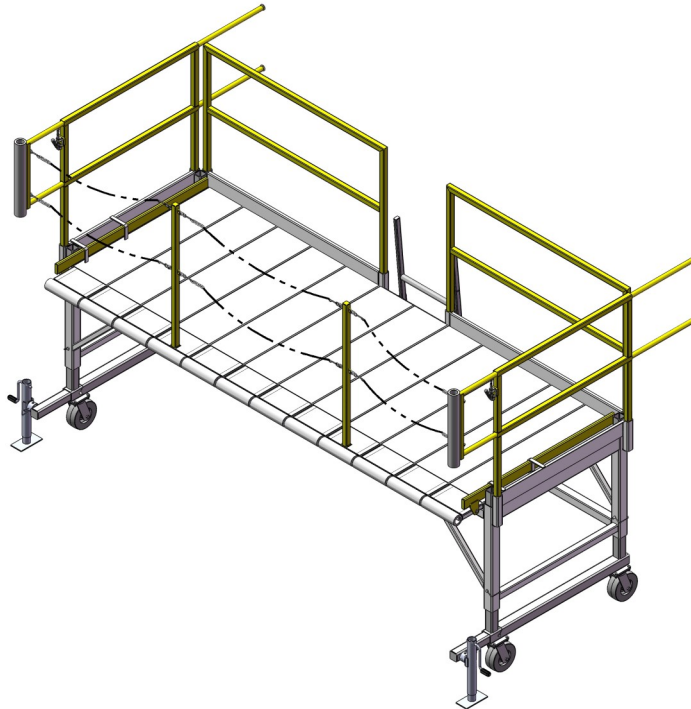




15F2918

Maintenance Stand

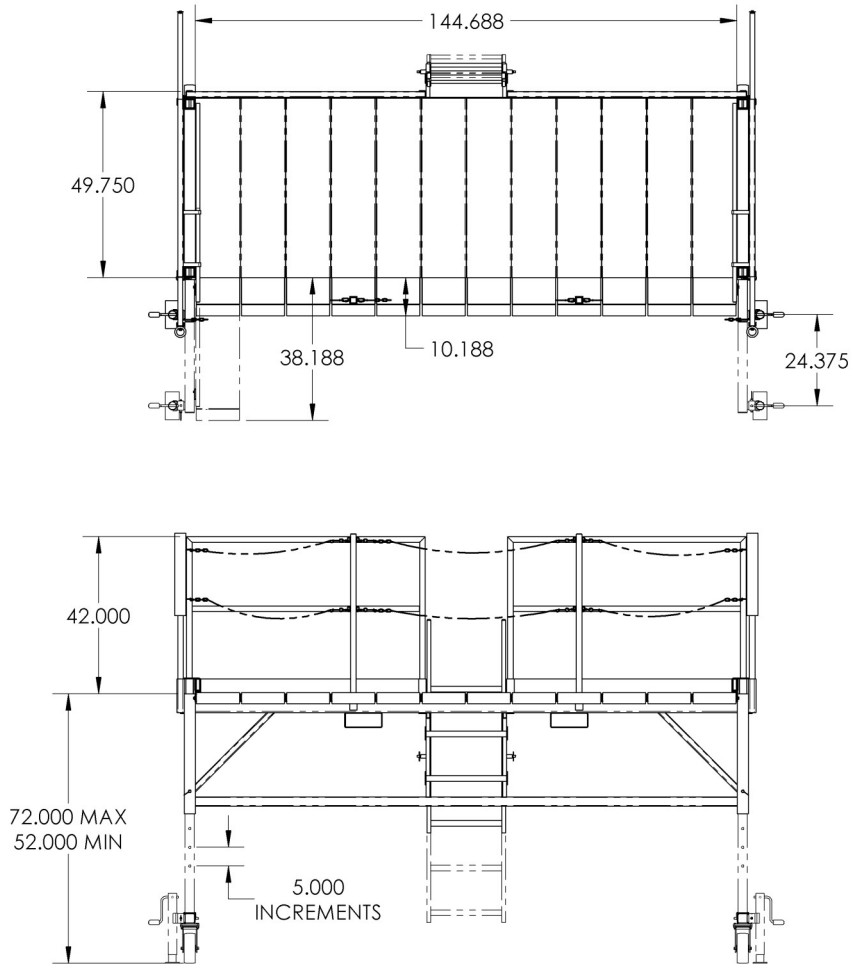


Building Quality Ground Support Products Since 1961

- 1000 lb. capacity
- Adjustable to any height within 52.375" to 72.375" in 5" increments
- Forklift pockets integrated in frame
- Morton tread grip decking
- 8" heavy-duty casters with brakes
- 4" O.D. non-marring rubber bumper
- Adjustable pullout planks
- Adjustable pullout handrails
- Adjustable pullout stabilization hand jacks
- Durable powder coat paint

15F2918

Maintenance Stand



Shipping Information

- Dimensions:
 - Weight - 1800 lbs.
 - Length - 160"
 - Width - 72"
 - Height - 95"