

## THE BRANDON™ Mini

*The World's Most Versatile Lifting Machine*



**Model:** Brandon Mini

**Hook Capacity:** 1,000 lbs

**Glass Capacity:** 700 lbs

**Power:** 24 Volts

**Boom:** Proportional Telescoping Boom

**Steering:** Rear Wheel

**Drive:** Rear Wheel Electric Motor

**Weight:** 2,000 lbs

**Material Lifting:** Optional 1000# Lift Hook

**Charger:** On-board 110 Volts

### Precise Boom Movement



### Side-Shift Feature

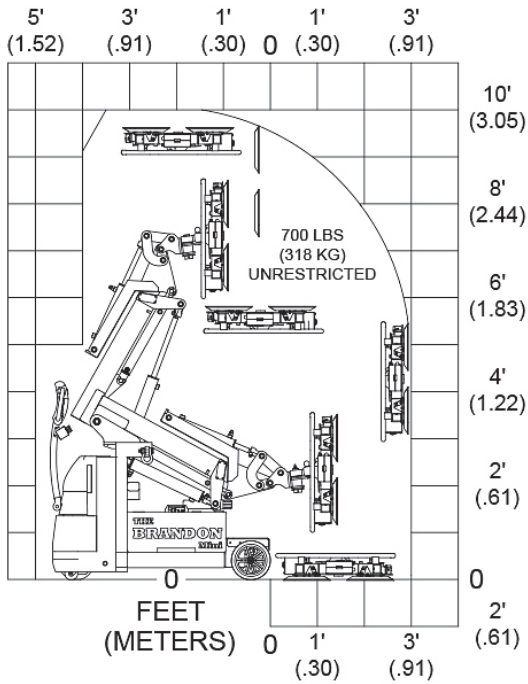


The side-shift feature of The Brandon Mini enables the operator to move the glass or window sideways to fit between the mullions or jambs. This side-shift is accomplished by a precise electric actuator connected to the front axle which moves the machine to either side.

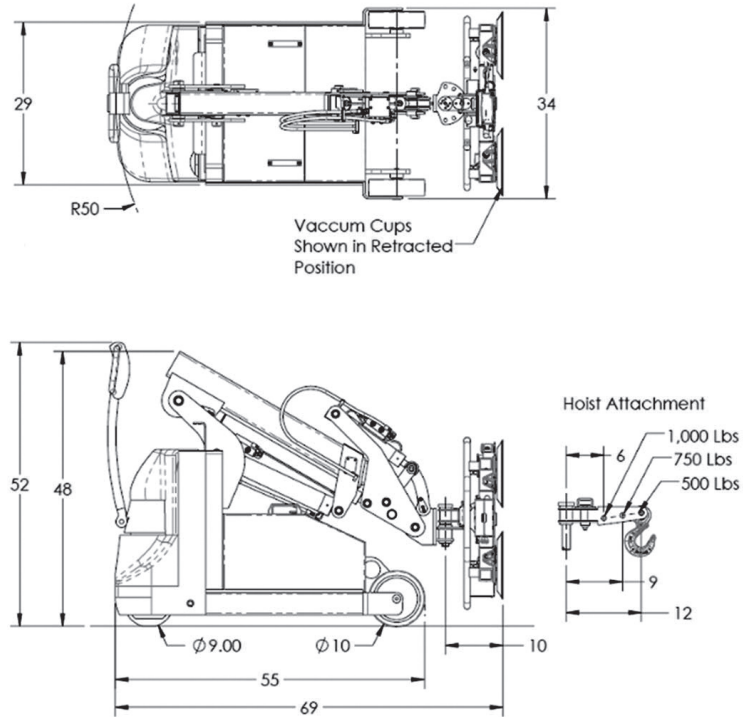
## LOAD CAPACITY CHARTS

\*\* MULTIPLE PATENTS PENDING\*\*

### Glass Lifter



### MODEL MINI



### Hook

